



POLEFAB 2017 PRODUCT GUIDE



21 BALES DRIVE - UNIT 6 - SHARON(NEWMARKET) - ON - L0G-1V0  
844-216-7414

[WWW.POLEFAB.COM](http://WWW.POLEFAB.COM)


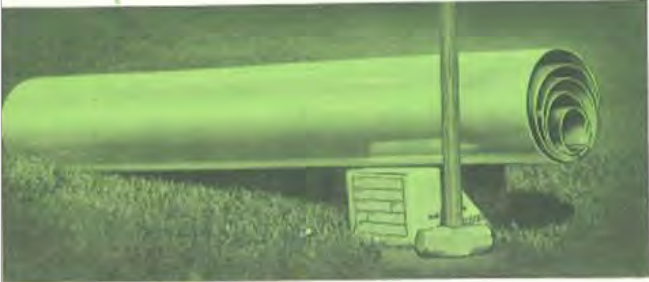



## Simplicity of design

LACAL Sectional Poles are manufactured from special high tensile low alloy corrosion resistant sheet steel, formed in the shape of round tapered tubes in standard lengths. Sound engineering design of linear cone and controlled overlap of Sections contributes to the overall efficiency of LACAL Sectional Poles. LACAL flood light and street lighting standards are C.S.A. approved.

## Assembly

Poles of a wide variety of lengths are easily and quickly assembled. The tube sections are simply laid end to end with the small end of one section butting into the large end of the next section. By a simple tamping operation, the sections are driven together to form a complete pole. NO BOLTS! NO CLAMPS! the sections are locked together by the conical taper.

Polefab evolved from Lactal Industries, founded in the mid 1950's. Throughout the catalog are catalog pages from the first print of the original Lactal catalog.



1955



1983



2013

*Evolution of the Brand*

# Polefab

**Polefab** was established in 1984 after assuming the ongoing design and manufacturing of Laclede sectional steel poles, who founded the business in the mid 1950's. Combining the unique qualities of durability, safety and versatility, Polefab provides economical solutions to many of your lighting, utility and signage requirements and are specified by MTO and Regions for many of their traffic controlled intersections throughout North America.

Polefab continues to be the primary choice for a wide variety of projects. Our emerging architectural design line provides your project with the 'look' you want and our PoleCoat process provides galvanized steel poles with a durable, high quality finish that, unlike most other finishes, will resist chipping, cracking and flaking while they stand the test of time.

Polefab continues to this day, to provide the only crash tested poles designed for vehicle impact in Canada. If safety is important to you, we are your supplier.

## **POLES THAT FIT YOUR PROJECT NEEDS**

Polefab specializes in the manufacture of sectional steel hot dipped galvanized poles that have a wide variety of uses and applications. Ranging from basic poles for signage and power meter support columns, Polefab also custom fabricates poles to meet your specified needs including decorative poles for walkways, main and subdivision street lighting together with a wide range of traffic control and highway lighting products. Polefab has long supplied steel traffic arms with our poles, and now add on aluminum traffic arms and elliptical arms.

## **EXTREME CONDITIONS & APPLICATIONS**

The sectional design of our Sectional poles allows for ease of transportation, storage and placement making these poles perfectly suited for difficult to access sites and remote installations. Light weight design combined with high tensile strength, allows Polefab products to safely withstand the extremes of North American weather and roadways.

## **YOUR ORDER IS OUR COMMAND**

Polefab is committed to work as a team with your designers, engineers, procurement specialists and project managers to ensure that your orders are manufactured and delivered to site, on specification and on time. Polefab will also commit to stock standard pole sizes to ensure that your emergency needs are fulfilled on a JIT basis every time to ensure ongoing project support.

## **OLD SCHOOL RELIABILITY, NEW SCHOOL LOOK**

Renowned for its time tested durability, Polefab products now feature our custom applied PoleCoat polyurethane finishes available in a wide spectrum of colours. Far more durable than traditional powder coated finishes, our PoleCoat coatings flex without failing, resist scratches and will not break down under extreme salt and sand conditions. PoleCoat's texture and surface characteristics make it resistant to unwanted posters and billboard adhesive applications and graffiti is often easier to remove. Designed and applied to ensure incredible upscale optics

*Lacal Sectional Poles are designed to meet your specific pole requirements*



A wide variety of arrangements allows you to select the pole you want.

Future expansion can be accurately planned around LACAL Sectional Poles.

Line & Cable Accessories Limited offers you this product, confident in the knowledge that LACAL Sectional Poles provide the answer to your lighting, distribution and low voltage transmission needs.

LACAL Sectional Poles are made in Canada by a Canadian Company.

Illustration shows 31 ft. LACAL Sectional Poles installed in a large parking area, Scarborough, Ont.

The poles are base mounted and support LACAL 6 ft. four way arms and 400 watt mercury luminaires.

*durable - economical - dependable - attractive*

In the mid 80's Polefab began to shift its focus from Commercial lighting, Transport & Traffic Poles to poles only encompassing the MTO requirements, and dropped the commercial lighting division.

Polefab manufactures a product that has performed extremely well over history, better than any pole currently on the market, in fact. Polefab is steadily adding new products and solutions to our line to better service our customers.

Polefab uses SafeRoads Engineering to verify our designs meet the Standards of the CSA & AASHTO, conforming structurally to your requirements. All designs can be provided stamped by a PEO registered Professional Engineer.



# TABLE OF CONTENTS

	POLEFAB INFORMATION	-----	3
	TABLE OF CONTENTS	-----	5
	HOW TO ORDER	-----	7
	DESIGN STANDARDS	-----	9
	1000 SERIES ROUND TAPERED STEEL POLES	-----	11
	4000,5000,6000 SERIES SQUARE TUBE POLES	-----	13
	4500 SERIES SQUARE TAPERED STEEL POLES	-----	15
	7400,7500,7600 SERIES ROUND TUBE POLES	-----	17
	EPAS IN SQ FT & MPH	-----	18-19
	SECTIONAL STEEL POLES, REGIONAL(OLD 2453)	-----	21
	SECTIONAL STEEL POLES, MTO 2453	-----	23
	SECTIONAL STEEL POLES, MTO HEAVY 2422	-----	25
	ALUMINUM TRAFFIC ARMS	-----	27
	DECORATIVE POLES	-----	29
	METRO OCTAGONAL TRAFFIC POLES	-----	31
	DECORATIVE BASE COVERS	-----	32
	STRUCTURAL CAPABILITY	-----	33
	HYBRID POLES	-----	35
	STRATUS LOWERING DEVICES	-----	36
	SAFE POLES ENERGY ABSORBING BREAKAWAYS	-----	37
	ANCHORS, J-BOLTS & PRESET	-----	38/39
	ARMS & BULLHORNS	-----	40
	TERMS & CONDITIONS	-----	41
	WIND PRESSURES & AASHTO MAP	-----	42



TABLE OF CONTENTS

# POLEFAB 2017 PRODUCT GUIDE



INSTALLED SECTIONAL STEEL POLE—THE SAFEST IN THE INDUSTRY



21 BALES DRIVE - UNIT 6 - SHARON(NEWMARKET) - ON - L0G-1V0  
844-216-7414

[WWW.POLEFAB.COM](http://WWW.POLEFAB.COM)



# HOW TO ORDER

To Properly select the pole for your application you must have the following information:

- 1) Pole height
- 2) Desired Shape
- 3) Approximate location, city & Province
- 4) Fixture EPA & Quantity

Next, Make sure your fixture EPA is converted to Metric units. (Use the calculator below)

ENTER EPA Here	2.00	EPA in sq ft	QTY	3	FIXTURES
	0.186	EPA in Sq m	TOTAL EPA	0.56	M2

Allow for all fixtures exposed to the wind, with arms, if used. Special cases like banners, lower mounted lights, or added parts on poles should be reviewed by the manufacturer.

4 Fixtures @ 90 degrees may be counted as 3 fixtures total EPA.

Find the city, or nearest city where the pole will be located in the last page of our Pole Selection Guide. Select the wind pressure in the 25 year column for poles under 15m(49') tall.

For example: Mississauga 435Pascals

It is critical to know the location for loading purposes. Mississauga is on the border of Toronto and has a pressure of 435Pascals, and can technically carry more projected area.

## FULL EXAMPLE

4"SQ POLE 20'		
2 FIXTURES 3 SQ FT EACH	6 SQ FT TOTAL	0.558m2
LOCATION AJAX ONTARIO	510 PASCALS	

THEREFORE                      Go to page 13 of PSG, 4000 Series poles  
 Select 20' pole and follow line across to 600pa (pressure exceeds 510pa)  
 Allowable EPA is 0.71m2, greater than the 0.558m2 required, **Therefore adequate**



HOW TO ORDER



21 BALES DRIVE - UNIT 6 - SHARON(NEWMARKET) - ON - L0G-1V0  
 844-216-7414                      WWW.POLEFAB.COM



**Step 1** *Three steps for assembly*

**Step 2**

- 1 Pole sections should be laid out in the order of assembly, end to end.
- 2 Insert small end of base section into large end of next section by hand.
- 3 As sections are assembled, they must be driven together as illustrated. Wooden blocks should be used in order to protect pole ends.

**Step 3**

The LACAL Sectional pole is now assembled and ready to have attachments and wiring applied prior to erection. The light weight and simplicity of erection are major factors in favor of LACAL Sectional Poles.

5

Great ideas don't change, they are perfect from the start.

That's why our poles have been used and assembled on job sites North America wide for over 50 years

These instructions were published in our first catalog in 1959





# DESIGN ?

When selecting a pole, it is necessary to consider wind pressure in the given location, Effective Projected Area (EPA), and the pole height and shape to make an appropriate pole selection. A light standard is an engineered structure, and consists of the anchors, pole, fixture and any additional loading, such as banners. All information will provide the best solution for your customer and add to the longevity of the project.

## Wind Pressure

Since CSA took over the design standards from AASHTO in 2000, many changes have taken place in the structural evaluation of a pole design. Instead of the mph or kph wind speeds traditionally employed, wind is now specified in terms of pressures in Pascal's. Critical in the design with CSA is fatigue, which is a new requirement with CSA, and mandatory for approval as of June 2015. Wind pressures taken from the CSA S6-06 published tables are at the back of this PSG, and corresponds to exposure over smooth terrain at a height of 33 ft. (10 meters) above the ground. Poles under 15m are to be designed using 1/25 wind pressures, while poles over 15m use 1/50. Contact the Polefab for cites that are not in the table supplied. To convert Square feet to square metres, divide sq ft / 10.76. Example, 2sq ft/10.76 = .185m<sup>2</sup>.

## Effective Projected Area

The Effective Projected Area of lighting equipment is expressed in square metres, however square feet is still in use. It is a calculated figure that when multiplied by the wind pressure represents the force or load exerted on the pole. It is calculated by determining the maximum surface area (length x width), that would be subjected to a wind force, also taking into account the coefficient of drag. Projected areas for loading shall be the fixture EPA multiplied by the fixture quantity. In the case of 4 fixtures @ 90 degrees, you may multiply by 3.

## Selecting a Pole

Other than lighting going on a pole, there are many things to take into account. A few are listed below, and are typically critical factors in the design, pricing and supply of a pole. Please review;

### Elevated mounting heights

Advise if poles are mounted on a parking garage, building, bridge, etc. Wind pressures increase with elevation, and need to be taken into account to correctly size poles.

### Project specific needs

If your customer has specifications that may override our standard, they need to be supplied to properly take special provisions into account.

### Car Dealerships, and signage

Car dealerships often add aftermarket signage and overhead streamers etc. to the poles once installed. Customers should ask as to what the future plans are as far as signs, banners, etc. to properly design the poles. One should exercise caution to release anchors too early, as a design change may render the anchors & footing useless with the proper design.

### Strain poles

Simply, any pole with overhead wiring. Typical poles are not designed to withstand the forces from overhead tension, and it should be considered, even with temporary wiring.

### Banners, flower holders

Poles may be designed to handle a multitude of add-ons, all that is needed are the details of the items. We can supply banner arms, fixture arms, flower pot mounts, street sign brackets, etc. just send along a detail, and we can quote you. Below is a list of answers we will need to design effectively.

Banner length x width, and if solid, meshed, holed or otherwise

If you want the bottom on the banner to be pinned in 1 corner or fully supported

Banner mounting height, either to the bottom or centre line

Any add ons should be treated the same way as above, EPA, weights & locations.

### Retrofits

Be aware of the existing anchor diameter & BCD, the new pole you may want to replace may not fit. Additionally, the Yield of the existing bolts, and condition of the footing may be unknown. These are risks to be evaluated. If anchor yield is unknown, Fy may be reduced to 36ksi.

### Engineering evaluation

It is common for customers to request an engineering review if they would like to add banners or additional loading to an existing pole. We would be pleased to discuss this with you.

### In pole transformers

Many fixtures have externally mounted transformers that customers would like mounted in the pole, at the top, at the bottom, or in a custom base. Please keep this in mind at the quote stage, and your transformer may not fit inside the pole. Transformer access holes are typically large, non-standard and be custom quoted.

These are a few of the project issues that when taken care of correctly at the beginning of a project will reduce post PO problems. If you have any questions on pole design, additions, or what can be done to make things simpler, please do not hesitate to contact us for a solution.

# ROUND TAPERED POLES



ROUND TAPERED POLES, GALVANIZED & POWDERCOATED BLACK

# PF1000 SERIES

TAPERED ROUND STEEL(NON SECTIONAL)

## FEATURES

TAPERED STEEL ROUND SHAFT  
SLOTTED BCD ASSISTS IN FIELD RETROFITS  
STEEL OR ALUMINUM BASE COVER INCLUDED  
REINFORCED HAND HOLE STANDARD

POWDERCOAT STANDARD COLOUR FINISH  
MEETS AASHTO & CSA S6 STANDARDS  
2 DRILLINGS WITH CAP OR TENON STANDARD  
INCLUDES J-ANCHOR BOLTS

## ORDERING INFORMATION

Example PF 10 20 S AX DB

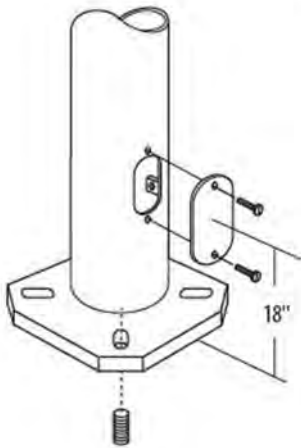
POLEFAB PART# \_\_\_\_\_  
SERIES \_\_\_\_\_  
POLE HEIGHT \_\_\_\_\_  
WALL THICKNESS \_\_\_\_\_  
FIXTURE MOUNT \_\_\_\_\_  
FINISH \_\_\_\_\_



## ROUND TAPERED POLES



POLEFAB SHAFT TYPE HEIGHT WALL TYPE MOUNT TYPE FINISH	CATALOG NUM.	FT	M	WALL	BCD	BPL	A/B'S	PROJ	WT	loadings(PA)				
										400	500	600	700	800
PF 10 20 S XX XX	PF-1020-S-XXXX	20	6.3	0.12	10"	25	1"X30"	4"	156	2.24	1.71	1.35	1.10	0.91
PF 10 25 S XX XX	PF-1025-S-XXXX	25	7.9	0.12	10"	25	1"X30"	4"	196	1.34	0.99	0.76	0.59	0.46
PF 10 30 S XX XX	PF-1030-S-XXXX	30	9.4	0.12	12"	32	1"X30"	4"	274	2.00	1.46	1.09	0.83	0.64
PF 10 30 H XX XX	PF-1030-H-XXXX	30	9.4	0.18	12"	32	1.25"X48"	5	390	3.29	2.49	1.96	1.58	1.29
PF 10 35 S XX XX	PF-1035-S-XXXX	35	11.0	0.12	12"	32	1"X30"	4"	320	1.79	1.26	0.91	0.66	0.47
PF 10 35 H XX XX	PF-1035-H-XXXX	35	11.0	0.18	13"	32	1.25"X48"	5	373	2.29	1.63	1.20	0.88	0.64
PF 10 39 S XX XX	PF-1039-S-XXXX	39	12.3	0.12	13"	32	1"X30"	4"	370	1.52	1.04	0.71	0.48	0.31
PF 10 39 H XX XX	PF-1039-H-XXXX	39	12.3	0.18	13"	38	1.25"X48"	5.5	542	2.67	1.96	1.49	1.15	0.89
PF 10 50 S XX XX	PF-1050-S-XXXX	50	15.7	0.12	15"	38	1.25"X48"	5.5	819	2.80	1.96	1.40	1.00	0.70
PF 10 50 H XX XX	PF-1050-H-XXXX	50	15.7	0.18	17"	38	1.25"X48"	5.5	1039	2.93	1.98	1.35	0.89	0.55



PROJECT: \_\_\_\_\_  
CUSTOMER: \_\_\_\_\_  
JOB#: \_\_\_\_\_  
COLOUR: \_\_\_\_\_  
QTY: \_\_\_\_\_  
NOTES: \_\_\_\_\_

**NOTES:**  
BCD SHOWN IS +/- 1/2" SLOTS  
ANCHOR BOLT HOLES ARE BOLT DIA +1/4"  
BASE COVER MAY BE PLASTIC OR STEEL  
DEPENDING ON FINISH SELECTED  
CUSTOM HEIGHTS AVAILABLE  
CUSTOM COLOURS REQUIRE STEEL BASE COVER  
ANCHORS ARE GALVANIZED WITH 2 NUTS & 2 WASHERS  
CONTACT THE FACTORY FOR CUSTOM APPLICATIONS  
ALL POLES MAY BE SUPPLIED DIRECT BURIED

AVAILABLE FIXTURE MOUNTS	
AX	DRILL 1 SIDE
BX	DRILL 2 SIZES @90
CX	DRILL 2 SIDES @ 180
DX	DRILL 3 SIDES
FX	DRILL 4 SIDES
TA	2 3/8" OD TENON
TB	2 7/8" OD TENON
TR	3" OD TENON
CU	CUSTOM MOUNT

AVAILABLE FINISHES	
DB	BRONZE
BL	BLACK
WH	WHITE
GR	GREY
PS	PLATINUM SILVER
GN	GREEN
CU	CUSTOM
GA	GALVANIZED
GLXY	GALAXY - GALVANIZED & POWDERCOATED

1000 SERIES ROUND TAPERED



21 BALES DRIVE - UNIT 6 - SHARON(NEWMARKET) - ON - L0G-1V0  
844-216-7414

WWW.POLEFAB.COM



# POLEFAB 2017 PRODUCT GUIDE



Polefab can fabricate any height poles, for any fixture mount, as well as match existing bolt circles if needed.

Contact us for site visits to measure your project for you.



21 BALES DRIVE - UNIT 6 - SHARON(NEWMARKET) - ON - L0G-1V0  
844-216-7414

[WWW.POLEFAB.COM](http://WWW.POLEFAB.COM)



# PF4000, 5000 & 6000 SERIES

## STRAIGHT SQUARE STEEL

### FEATURES

STRAIGHT STEEL SQUARE TUBE SHAFT  
 SLOTTED BCD ASSISTS IN FIELD RETROFITS  
 BASE COVER OR NUT COVERS INCLUDED  
 REINFORCED HAND HOLE FRAME STANDARD

POWDERCOAT STANDARD COLOUR FINISH  
 MEETS AASHTO & CSA S6-06 STANDARDS  
 2 DRILLINGS WITH CAP OR TENON STANDARD  
 INCLUDES J-ANCHOR BOLTS

### ORDERING INFORMATION

Example PF 40 20 S AX DB

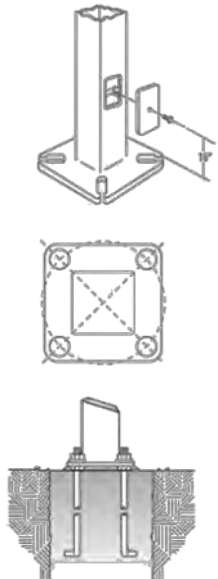
POLEFAB PART#  
 SERIES  
 POLE HEIGHT  
 WALL THICKNESS  
 FIXTURE MOUNT  
 FINISH



## SQUARE TUBE POLES



POLEFAB	SHAFT SIZE	HEIGHT	WALL THICKNESS	MOUNT TYPE	FINISH	CATALOG NUM.	FT	M	SHAFT WALL	BCD(A,C)	BPL	A/B'S	PROJ(B)	WT(LBS)	Loadings(PA)					
															400	500	600	700	800	
PF	40	15	S	XX	XX	PF-4015-S-XXXX	15	4.7	4	0.125	8.5	19	3/4"X24"	4"	120	0.86	0.86	0.84	0.64	0.49
PF	40	20	S	XX	XX	PF-4020-S-XXXX	20	6.3	4	0.125	8.5	19	3/4"X24"	4"	155	0.47	0.47	0.3	0.16	0.04
PF	40	24	S	XX	XX	PF-4024-S-XXXX	24	7.5	4	0.125	8.5	19	3/4"X24"	4"	183	0.25	0.15	XX	XX	XX
PF	40	20	H	XX	XX	PF-4020-H-XXXX	20	6.3	4	0.188	8.5	25	1"X30"	4"	230	0.8	0.8	0.71	0.5	0.35
PF	40	24	H	XX	XX	PF-4024-H-XXXX	24	7.5	4	0.188	8.5	25	1"X30"	4"	272	0.53	0.53	0.31	0.14	0.01
PF	40	30	H	XX	XX	PF-4030-H-XXXX	30	9.4	4	0.188	8.5	25	1"X30"	4"	335	0.21	XX	XX	XX	XX
PF	50	15	S	XX	XX	PF-5015-S-XXXX	15	4.7	5	0.125	10.5	25	1"X30"	4"	162	1.48	1.48	1.48	1.23	0.99
PF	50	20	S	XX	XX	PF-5020-S-XXXX	20	6.3	5	0.125	10.5	25	1"X30"	4"	205	0.9	0.9	0.76	0.52	0.34
PF	50	24	S	XX	XX	PF-5024-S-XXXX	24	7.5	5	0.125	10.5	25	1"X30"	4"	240	0.57	0.57	0.29	0.09	XX
PF	50	30	S	XX	XX	PF-5030-S-XXXX	30	9.4	5	0.125	10.5	25	1"X30"	4"	292	0.19	XX	XX	XX	XX
PF	50	24	H	XX	XX	PF-5024-H-XXXX	24	7.5	5	0.188	10.5	25	1"X30"	4"	346	1.03	1.03	0.85	0.57	0.36
PF	50	30	H	XX	XX	PF-5030-H-XXXX	30	9.4	5	0.188	10.5	25	1"X30"	4"	424	0.56	0.48	0.17	XX	XX
PF	50	35	H	XX	XX	PF-5035-H-XXXX	35	11.0	5	0.188	10.5	25	1"X30"	4"	489	0.26	XX	XX	XX	XX
PF	60	30	S	XX	XX	PF-6030-S-XXXX	30	9.4	6	0.188	12.5	32	1.25"X48"	5"	528	1.18	1.09	0.64	0.31	0.07
PF	60	35	S	XX	XX	PF-6035-S-XXXX	35	11.0	6	0.188	12.5	32	1.25"X48"	5"	607	0.78	0.41	0.02	XX	XX
PF	60	40	S	XX	XX	PF-6040-S-XXXX	40	12.6	6	0.188	12.5	32	1.25"X48"	5"	685	0.33	XX	XX	XX	XX
PF	60	30	H	XX	XX	PF-6030-H-XXXX	30	9.4	6	0.25	12.5	32	1.25"X48"	5"	683	1.73	1.58	1.3	0.88	0.37
PF	60	35	H	XX	XX	PF-6035-H-XXXX	35	11.0	6	0.25	12.5	32	1.25"X48"	5"	788	1.26	1.08	0.59	0.23	XX
PF	60	40	H	XX	XX	PF-6040-H-XXXX	40	12.6	6	0.25	12.5	32	1.25"X48"	5"	892	0.41	0.41	XX	XX	XX



- AVAILABLE FIXTURE MOUNTS**
- AX DRILL 1 SIDE
  - BX DRILL 2 SIZES @90
  - CX DRILL 2 SIDES @ 180
  - DX DRILL 3 SIDES
  - FX DRILL 4 SIDES
  - TA 2 3/8" OD TENON
  - TB 2 7/8" OD TENON
  - TR 3"ODTENON
  - CU CUSTOM MOUNT

**NOTES:**  
 BCD SHOWN IS +/- 1/2" SLOTS  
 ANCHOR BOLT HOLES ARE BOLT DIA +1/4"  
 BASE COVER MAY BE PLASTIC OR STEEL  
 DEPENDING ON FINISH SELECTED  
 CUSTOM HEIGHTS AVAILABLE  
 CUSTOM COLOURS REQUIRE STEEL BASE COVER  
 ANCHORS ARE GALVANIZED WITH 2 NUTS & 2 WASHERS  
 CONTACT THE FACTORY FOR CUSTOM APPLICATIONS  
 ALL POLES MAY BE SUPPLIED DIRECT BURIED

PROJECT:  
 CUSTOMER:  
 JOB#:  
 COLOUR:  
 QTY:  
 NOTES:

- AVAILABLE FINISHES**
- DB BRONZE
  - BL BLACK
  - WH WHITE
  - GR GREY
  - PS PLATINUM SILVER
  - GN GREEN
  - CU CUSTOM
  - GA GALVANIZED
  - GLXY GALAXY - GALVANIZED & POWDERCOATED

4", 5" & 6" SQUARE TUBE POLES



21 BALES DRIVE - UNIT 6 - SHARON(NEWMARKET) - ON - L0G-1V0  
 844-216-7414  
[WWW.POLEFAB.COM](http://WWW.POLEFAB.COM)



# POLEFAB 2017 PRODUCT GUIDE



21 BALES DRIVE - UNIT 6 - SHARON(NEWMARKET) - ON - L0G-1V0  
844-216-7414

[WWW.POLEFAB.COM](http://WWW.POLEFAB.COM)



# PF4500 SERIES

## TAPERED SQUARE STEEL

### FEATURES

TAPERED STEEL SQUARE SHAFT  
 SLOTTED BCD ASSISTS IN FIELD RETROFITS  
 BASE COVER OR NUT COVERS INCLUDED  
 REINFORCED HAND HOLE FRAME STANDARD

POWDERCOAT STANDARD COLOUR FINISH  
 MEETS AASHTO & CSA S6-06 STANDARDS  
 2 DRILLINGS WITH CAP OR TENON STANDARD  
 INCLUDES J-ANCHOR BOLTS

### ORDERING INFORMATION

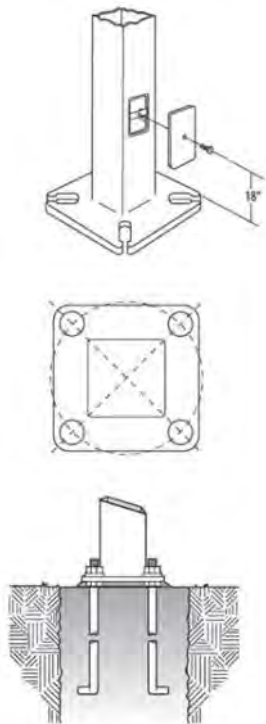
Example PF 45 20 S AX DB

POLEFAB PART# \_\_\_\_\_  
 SERIES \_\_\_\_\_  
 POLE HEIGHT \_\_\_\_\_  
 WALL THICKNESS \_\_\_\_\_  
 FIXTURE MOUNT \_\_\_\_\_  
 FINISH \_\_\_\_\_



## SQUARE TAPERED POLES

POLEFAB SHAFT TYF	HEIGHT	WALL TYPE	MOUNT TY	FINISH	CATALOG NUM.	FT	M	WALL	BCD	BPL	A/B'S	PROJ	WT	loadings(PA)				
														400	500	600	700	800
PF 45	20	S	XX	XX	PF-4520-S-XXXX	20	6.3	0.12	11"	25	1"X30"	4"	174	1.32	0.94	0.67	0.47	0.32
PF 45	25	S	XX	XX	PF-4525-S-XXXX	25	7.9	0.12	12"	25	1"X30"	4"	235	1.18	0.75	0.47	0.26	0.11
PF 45	30	S	XX	XX	PF-4530-S-XXXX	30	9.4	0.12	13"	25	1"X30"	4"	288	0.86	0.45	0.18	XX	XX
PF 45	30	H	XX	XX	PF-4530-H-XXXX	30	9.4	0.18	14"	25	1"X30"	4"	469	2.37	1.62	1.12	0.76	0.5
PF 45	35	S	XX	XX	PF-4535-S-XXXX	35	11.0	0.12	14"	25	1"X30"	4"	342	0.57	0.18	XX	XX	XX
PF 45	35	H	XX	XX	PF-4535-H-XXXX	35	11.0	0.18	14"	32	1.25"X48"	5	528	1.69	1.05	0.63	0.33	0.1
PF 45	39	S	XX	XX	PF-4539-S-XXXX	39	12.3	0.12	14"	32	1.25"X48"	5	399	0.35	XX	XX	XX	XX
PF 45	39	H	XX	XX	PF-4539-H-XXXX	39	12.3	0.18	14"	32	1.25"X48"	5	558	1.31	0.77	0.4	0.15	XX



PROJECT: \_\_\_\_\_  
 CUSTOMER: \_\_\_\_\_  
 JOB#: \_\_\_\_\_  
 COLOUR: \_\_\_\_\_  
 QTY: \_\_\_\_\_  
 NOTES: \_\_\_\_\_

**NOTES:**  
 BCD SHOWN IS +/- 1/2" SLOTS  
 ANCHOR BOLT HOLES ARE BOLT DIA +1/4"  
 BASE COVER MAY BE PLASTIC OR STEEL  
 DEPENDING ON FINISH SELECTED  
 CUSTOM HEIGHTS AVAILABLE  
 CUSTOM COLOURS REQUIRE STEEL BASE COVER  
 ANCHORS ARE GALVANIZED WITH 2 NUTS & 2 WASHERS  
 CONTACT THE FACTORY FOR CUSTOM APPLICATIONS  
 ALL POLES MAY BE SUPPLIED DIRECT BURIED

AVAILABLE FIXTURE MOUNTS		AVAILABLE FINISHES	
AX	DRILL 1 SIDE	DB	BRONZE
BX	DRILL 2 SIZES @90	BL	BLACK
CX	DRILL 2 SIZES @ 180	WH	WHITE
DX	DRILL 3 SIDES	GR	GREY
FX	DRILL 4 SIDES	PS	PLATINUM SILVER
TA	2 3/8" OD TENON	GN	GREEN
TB	2 7/8" OD TENON	CU	CUSTOM
TR	3" OD TENON	GA	GALVANIZED
CU	CUSTOM MOUNT	GLXY	GALAXY - GALVANIZED & POWDERCOATED

SQUARE TAPERED POLES



21 BALES DRIVE - UNIT 6 - SHARON(NEWMARKET) - ON - L0G-1V0  
 844-216-7414

WWW.POLEFAB.COM



# POLEFAB 2017 PRODUCT GUIDE



Polefab carries CSA certifications for poles in Canada & USA.



21 BALES DRIVE - UNIT 6 - SHARON(NEWMARKET) - ON - L0G-1V0  
844-216-7414

[WWW.POLEFAB.COM](http://WWW.POLEFAB.COM)





# PF7400, 7500 & 7600 SERIES

4", 5" & 6" ROUND TUBE POLES

## STRAIGHT ROUND STEEL

### FEATURES

STRAIGHT STEEL ROUND TUBE SHAFT  
 SLOTTED BCD ASSISTS IN FIELD RETROFITS  
 BASE COVER OR NUT COVERS INCLUDED  
 REINFORCED HAND HOLE FRAME STANDARD

POWDERCOAT STANDARD COLOUR FINISH  
 MEETS AASHTO & CSA S6-06 STANDARDS  
 2 DRILLINGS WITH CAP OR TENON STANDARD  
 INCLUDES J-ANCHOR BOLTS

### ORDERING INFORMATION

Example **PF 74 20 S AX DB**

POLEFAB PART#  
 SERIES  
 POLE HEIGHT  
 WALL THICKNESS  
 FIXTURE MOUNT  
 FINISH



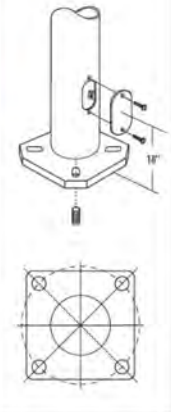
## ROUND TUBE POLES



POLEFAB	SHAFT SIZE	HEIGHT	WALL TYPE	MOUNT TYPE	FINISH	CATALOG NUM.	FT	M	SHAFT WALL	BCD	BPL	A/B'S	PROJ	WT(LBS)	loadings (PA)				
															400	500	600	700	800
PF 74 12 S XX XX	PF-7412-S-XXX	12	3.8	4	0.125	8	19	3/4"X24"	4"	79	1.22	0.93	0.74	0.60	0.50				
PF 74 15 S XX XX	PF-7415-S-XXX	15	4.7	4	0.125	8	19	3/4"X24"	4"	96	0.87	0.64	0.49	0.38	0.30				
PF 74 18 S XX XX	PF-7418-S-XXX	18	5.7	4	0.125	8	19	3/4"X24"	4"	112	0.62	0.43	0.31	0.22	0.15				
PF 74 20 S XX XX	PF-7420-S-XXX	20	6.3	4	0.125	8	19	3/4"X24"	4"	123	0.49	0.32	0.20	0.12	0.06				
PF 74 24 S XX XX	PF-7424-S-XXX	24	7.5	4	0.125	8	19	3/4"X24"	4"	145	0.27	0.13	0.03	XX	XX				
PF 74 20 H XX XX	PF-7420-H-XXX	20	6.3	4	0.188	8	19	3/4"X24"	4"	178	0.87	0.63	0.46	0.35	0.26				
PF 74 24 H XX XX	PF-7424-H-XXX	24	7.5	4	0.188	8	19	3/4"X24"	4"	211	0.58	0.38	0.25	0.15	0.08				
PF 75 15 S XX XX	PF-7515-S-XXX	15	4.7	5	0.125	8.5	19	3/4"X24"	4"	118	1.47	1.11	0.87	0.70	0.57				
PF 75 18 S XX XX	PF-7518-S-XXX	18	5.7	5	0.125	8.5	19	3/4"X24"	4"	139	1.10	0.80	0.60	0.45	0.35				
PF 75 20 S XX XX	PF-7520-S-XXX	20	6.3	5	0.125	8.5	19	3/4"X24"	4"	152	0.90	0.63	0.45	0.32	0.22				
PF 75 24 S XX XX	PF-7524-S-XXX	24	7.5	5	0.125	8.5	25	1"X30"	4"	185	0.58	0.35	0.20	0.10	0.02				
PF 75 20 H XX XX	PF-7520-H-XXX	20	6.3	5	0.188	8.5	25	1"X30"	4"	226	1.52	1.13	0.76	0.68	0.54				
PF 75 24 H XX XX	PF-7524-H-XXX	24	7.5	5	0.188	8.5	25	1"X30"	4"	267	1.09	0.77	0.55	0.39	0.28				
PF 75 30 H XX XX	PF-7530-H-XXX	30	9.4	5	0.188	8.5	25	1"X30"	4"	329	0.61	0.36	0.18	0.06	XX				
PF 76 30 S XX XX	PF-7630-S-XXX	30	9.4	6	0.125	10.5	25	1"X30"	4"	277	1.09	0.71	0.46	0.27	0.14				
PF 76 35 S XX XX	PF-7635-S-XXX	35	11.0	6	0.125	10.5	25	1"X30"	4"	318	0.66	0.34	0.12	XX	XX				
PF 76 40 S XX XX	PF-7640-S-XXX	40	12.6	6	0.125	10.5	25	1"X30"	4"	359	0.28	0.01	XX	XX	XX				
PF 76 30 H XX XX	PF-7630-H-XXX	30	9.4	6	0.188	10.5	32	1.25"X48"	5"	410	1.67	1.18	0.85	0.61	0.43				
PF 76 35 H XX XX	PF-7635-H-XXX	35	11.0	6	0.188	10.5	32	1.25"X48"	5"	472	1.18	0.75	0.46	0.26	0.10				
PF 76 40 H XX XX	PF-7640-H-XXX	40	12.6	6	0.188	10.5	32	1.25"X48"	5"	533	0.64	0.34	0.10	XX	XX				

**NOTES:**  
 BCD SHOWN IS +/- 1/2" SLOTS  
 ANCHOR BOLT HOLES ARE BOLT DIA +1/4"  
 BASE COVER MAY BE PLASTIC OR STEEL  
 DEPENDING ON FINISH SELECTED  
 CUSTOM HEIGHTS AVAILABLE  
 CUSTOM COLOURS REQUIRE STEEL BASE COVER  
 ANCHORS ARE GALVANIZED WITH 2 NUTS & 2 WASHERS  
 CONTACT THE FACTORY FOR CUSTOM APPLICATIONS  
 ALL POLES MAY BE SUPPLIED DIRECT BURIED


PROJECT:  
 CUSTOMER:  
 JOB#:  
 COLOUR:  
 QTY:  
 NOTES:




AVAILABLE FIXTURE MOUNTS	
AX	DRILL 1 SIDE
BX	DRILL 2 SIDES @90
CX	DRILL 2 SIDES @ 180
DX	DRILL 3 SIDES
FX	DRILL 4 SIDES
TA	2 3/8" OD TENON
TB	2 7/8" OD TENON
TR	3" OD TENON
CU	CUSTOM MOUNT

AVAILABLE FINISHES	
DB	BRONZE
BL	BLACK
WH	WHITE
GR	GREY
PS	PLATINUM SILVER
GN	GREEN
CU	CUSTOM
GA	GALVANIZED
GLXY	GALAXY - GALVANIZED & POWDERCOATED

# SQUARE TUBE & TAPERED

SQUARE TUBE POLES																			
POLEFAB	SHAFT SIZE	HEIGHT	WALL TYPE	MOUNT TYPE	FINISH	CATALOG NUM.	FT	M	SHAFT WALL	BCD(A,C)	BPL	A/B'S	PROJ(B)	WT(LBS)	loadings mph				
															70	78	86	92	100
PF 40	15	S	XX	XX	PF-4015-S-XXXX	15	4.7	4	0.125	8.5	19	3/4"X24"	4"	120	9.3	9.3	9.0	6.9	5.3
PF 40	20	S	XX	XX	PF-4020-S-XXXX	20	6.3	4	0.125	8.5	19	3/4"X24"	4"	155	5.1	5.1	3.2	1.7	0.4
PF 40	24	S	XX	XX	PF-4024-S-XXXX	24	7.5	4	0.125	8.5	19	3/4"X24"	4"	183	2.7	1.6	XX	XX	XX
PF 40	20	H	XX	XX	PF-4020-H-XXXX	20	6.3	4	0.188	8.5	25	1"X30"	4"	230	8.6	8.6	7.6	5.4	3.8
PF 40	24	H	XX	XX	PF-4024-H-XXXX	24	7.5	4	0.188	8.5	25	1"X30"	4"	272	5.7	5.7	3.3	1.5	0.1
PF 40	30	H	XX	XX	PF-4030-H-XXXX	30	9.4	4	0.188	8.5	25	1"X30"	4"	335	2.3	XX	XX	XX	XX
PF 50	15	S	XX	XX	PF-5015-S-XXXX	15	4.7	5	0.125	10.5	25	1"X30"	4"	162	15.9	15.9	15.9	13.2	10.7
PF 50	20	S	XX	XX	PF-5020-S-XXXX	20	6.3	5	0.125	10.5	25	1"X30"	4"	205	9.7	9.7	8.2	5.6	3.7
PF 50	24	S	XX	XX	PF-5024-S-XXXX	24	7.5	5	0.125	10.5	25	1"X30"	4"	240	6.1	6.1	3.1	1.0	XX
PF 50	30	S	XX	XX	PF-5030-S-XXXX	30	9.4	5	0.125	10.5	25	1"X30"	4"	292	2.0	XX	XX	XX	XX
PF 50	24	H	XX	XX	PF-5024-H-XXXX	24	7.5	5	0.188	10.5	25	1"X30"	4"	346	11.1	11.1	9.1	6.1	3.9
PF 50	30	H	XX	XX	PF-5030-H-XXXX	30	9.4	5	0.188	10.5	25	1"X30"	4"	424	6.0	5.2	1.8	XX	XX
PF 50	35	H	XX	XX	PF-5035-H-XXXX	35	11.0	5	0.188	10.5	25	1"X30"	4"	489	2.8	XX	XX	XX	XX
PF 60	30	S	XX	XX	PF-6030-S-XXXX	30	9.4	6	0.188	12.5	32	1.25"X48"	5"	528	12.7	11.7	6.9	3.3	0.8
PF 60	35	S	XX	XX	PF-6035-S-XXXX	35	11.0	6	0.188	12.5	32	1.25"X48"	5"	607	8.4	4.4	0.2	XX	XX
PF 60	40	S	XX	XX	PF-6040-S-XXXX	40	12.6	6	0.188	12.5	32	1.25"X48"	5"	685	3.6	XX	XX	XX	XX
PF 60	30	H	XX	XX	PF-6030-H-XXXX	30	9.4	6	0.25	12.5	32	1.25"X48"	5"	683	18.6	17.0	14.0	9.5	4.0
PF 60	35	H	XX	XX	PF-6035-H-XXXX	35	11.0	6	0.25	12.5	32	1.25"X48"	5"	788	13.6	11.6	6.3	2.5	XX
PF 60	40	H	XX	XX	PF-6040-H-XXXX	40	12.6	6	0.25	12.5	32	1.25"X48"	5"	892	4.4	4.4	XX	XX	XX

SQUARE TAPERED POLES																			
POLEFAB	SHAFT TYPE	HEIGHT	WALL TYPE	MOUNT TYPE	FINISH	CATALOG NUM.	FT	M	WALL	BCD	BPL	A/B'S	PROJ	WT	loadings(MPH)				
															70	78	86	92	100
PF 45	20	S	XX	XX	PF-4520-S-XXXX	20	6.3	0.12	11"	25	1"X30"	4"	174	14.2	10.3	7.3	5.26	3.65	
PF 45	25	S	XX	XX	PF-4525-S-XXXX	25	7.9	0.12	12"	25	1"X30"	4"	235	13.1	8.38	5.26	3.01	1.4	
PF 45	30	S	XX	XX	PF-4530-S-XXXX	30	9.4	0.12	13"	25	1"X30"	4"	288	9.77	5.37	2.36	0.21	XX	
PF 45	30	H	XX	XX	PF-4530-H-XXXX	30	9.4	0.18	14"	25	1"X30"	4"	469	25.7	18	12.6	8.7	5.8	
PF 45	35	S	XX	XX	PF-4535-S-XXXX	35	11.0	0.12	14"	25	1"X30"	4"	342	6.87	2.58	XX	XX	XX	
PF 45	35	H	XX	XX	PF-4535-H-XXXX	35	11.0	0.18	14"	32	1.25"X48"	5	528	19.1	12.1	7.52	4.19	1.61	
PF 45	39	S	XX	XX	PF-4539-S-XXXX	39	12.3	0.12	14"	32	1.25"X48"	5	399	5.16	1.07	XX	XX	XX	
PF 45	39	H	XX	XX	PF-4539-H-XXXX	39	12.3	0.18	14"	32	1.25"X48"	5	558	14.3	8.59	4.73	2.04	XX	

# ROUND TUBE & TAPERED

## ROUND TUBE POLES



loadings(MPH)

POLEFAB SHAFT SIZE HEIGHT WALL TYPE MOUNT TYPE FINISH	CATALOG NUM.	FT	M	SHAFT	WALL	BCD	BPL	A/B'S	PROJ	WT(LBS)	70	78	86	92	100
PF 74 12 S XX XX	PF-7412-S-XXXX	12	3.8	4	0.125	8	19	3/4"X24"	4"	79	13.1	10.0	7.9	6.4	5.4
PF 74 15 S XX XX	PF-7415-S-XXXX	15	4.7	4	0.125	8	19	3/4"X24"	4"	96	9.3	6.9	5.3	4.1	3.2
PF 74 18 S XX XX	PF-7418-S-XXXX	18	5.7	4	0.125	8	19	3/4"X24"	4"	112	6.7	4.6	3.3	2.4	1.6
PF 74 20 S XX XX	PF-7420-S-XXXX	20	6.3	4	0.125	8	19	3/4"X24"	4"	123	5.3	3.4	2.1	1.3	0.6
PF 74 24 S XX XX	PF-7424-S-XXXX	24	7.5	4	0.125	8	19	3/4"X24"	4"	145	2.9	1.4	0.3	XX	XX
PF 74 20 H XX XX	PF-7420-H-XXXX	20	6.3	4	0.188	8	19	3/4"X24"	4"	178	9.3	6.8	4.9	3.8	2.8
PF 74 24 H XX XX	PF-7424-H-XXXX	24	7.5	4	0.188	8	19	3/4"X24"	4"	211	6.2	4.1	2.7	1.6	0.9
PF 75 15 S XX XX	PF-7515-S-XXXX	15	4.7	5	0.125	8.5	19	3/4"X24"	4"	118	15.8	11.9	9.3	7.5	6.1
PF 75 18 S XX XX	PF-7518-S-XXXX	18	5.7	5	0.125	8.5	19	3/4"X24"	4"	139	11.8	8.6	6.4	4.8	3.8
PF 75 20 S XX XX	PF-7520-S-XXXX	20	6.3	5	0.125	8.5	19	3/4"X24"	4"	152	9.7	6.8	4.8	3.4	2.4
PF 75 24 S XX XX	PF-7524-S-XXXX	24	7.5	5	0.125	8.5	25	1"X30"	4"	185	6.2	3.8	2.1	1.1	0.2
PF 75 20 H XX XX	PF-7520-H-XXXX	20	6.3	5	0.188	8.5	25	1"X30"	4"	226	16.3	12.1	8.2	7.3	5.8
PF 75 24 H XX XX	PF-7524-H-XXXX	24	7.5	5	0.188	8.5	25	1"X30"	4"	267	11.7	8.3	5.9	4.2	3.0
PF 75 30 H XX XX	PF-7530-H-XXXX	30	9.4	5	0.188	8.5	25	1"X30"	4"	329	6.6	3.9	1.9	0.6	XX
PF 76 30 S XX XX	PF-7630-S-XXXX	30	9.4	6	0.125	10.5	25	1"X30"	4"	277	11.7	7.6	4.9	2.9	1.5
PF 76 35 S XX XX	PF-7635-S-XXXX	35	11.0	6	0.125	10.5	25	1"X30"	4"	318	7.1	3.7	1.3	XX	XX
PF 76 40 S XX XX	PF-7640-S-XXXX	40	12.6	6	0.125	10.5	25	1"X30"	4"	359	3.3	0.3	XX	XX	XX
PF 76 30 H XX XX	PF-7630-H-XXXX	30	9.4	6	0.188	10.5	32	1.25"X48"	5"	410	17.9	12.7	9.1	6.6	4.6
PF 76 35 H XX XX	PF-7635-H-XXXX	35	11.0	6	0.188	10.5	32	1.25"X48"	5"	472	12.7	8.1	4.9	2.8	1.1
PF 76 40 H XX XX	PF-7640-H-XXXX	40	12.6	6	0.188	10.5	32	1.25"X48"	5"	533	6.9	3.7	1.3	XX	XX

## ROUND TAPERED POLES



loadings(MPH)

POLEFAB SHAFT TYPE HEIGHT WALL TYPE MOUNT TYPE FINISH	CATALOG NUM.	FT	M	WALL	BCD	BPL	A/B'S	PROJ	WT	70	78	86	92	100
PF 10 20 S XX XX	PF-1020-S-XXXX	20	6.3	0.12	10"	25	1"X30"	4"	156	24.1	18.4	14.5	11.8	9.8
PF 10 25 S XX XX	PF-1025-S-XXXX	25	7.9	0.12	10"	25	1"X30"	4"	196	14.4	10.6	8.2	6.3	4.9
PF 10 30 S XX XX	PF-1030-S-XXXX	30	9.4	0.12	12"	32	1"X30"	4"	274	21.5	15.7	11.7	8.9	6.9
PF 10 30 H XX XX	PF-1030-H-XXXX	30	9.4	0.18	12"	32	1.25"X48"	5"	390	35.3	26.7	21.1	17.0	13.9
PF 10 35 S XX XX	PF-1035-S-XXXX	35	11.0	0.12	12"	32	1"X30"	4"	320	19.2	13.5	9.8	7.1	5.0
PF 10 35 H XX XX	PF-1035-H-XXXX	35	11.0	0.18	13"	32	1.25"X48"	5"	373	24.6	17.5	12.9	9.5	6.9
PF 10 39 S XX XX	PF-1039-S-XXXX	39	12.3	0.12	13"	32	1"X30"	4"	370	16.3	11.2	7.6	5.2	3.3
PF 10 39 H XX XX	PF-1039-H-XXXX	39	12.3	0.18	13"	38	1.25"X48"	5.5"	542	28.7	21.1	16.0	12.4	9.6
PF 10 50 S XX XX	PF-1050-S-XXXX	50	15.7	0.12	15"	38	1.25"X48"	5.5"	819	30.1	21.1	15.0	10.7	7.5
PF 10 50 H XX XX	PF-1050-H-XXXX	50	15.7	0.18	17"	38	1.25"X48"	5.5"	1039	31.5	21.3	14.5	9.6	5.9

EPA IN SQ FT & WINDSPEED IN MPH



21 BALES DRIVE - UNIT 6 - SHARON(NEWMARKET) - ON - L0G-1V0  
844-216-7414

WWW.POLEFAB.COM



# POLEFAB 2017 PRODUCT GUIDE



# 2453 OLD MTO SPEC

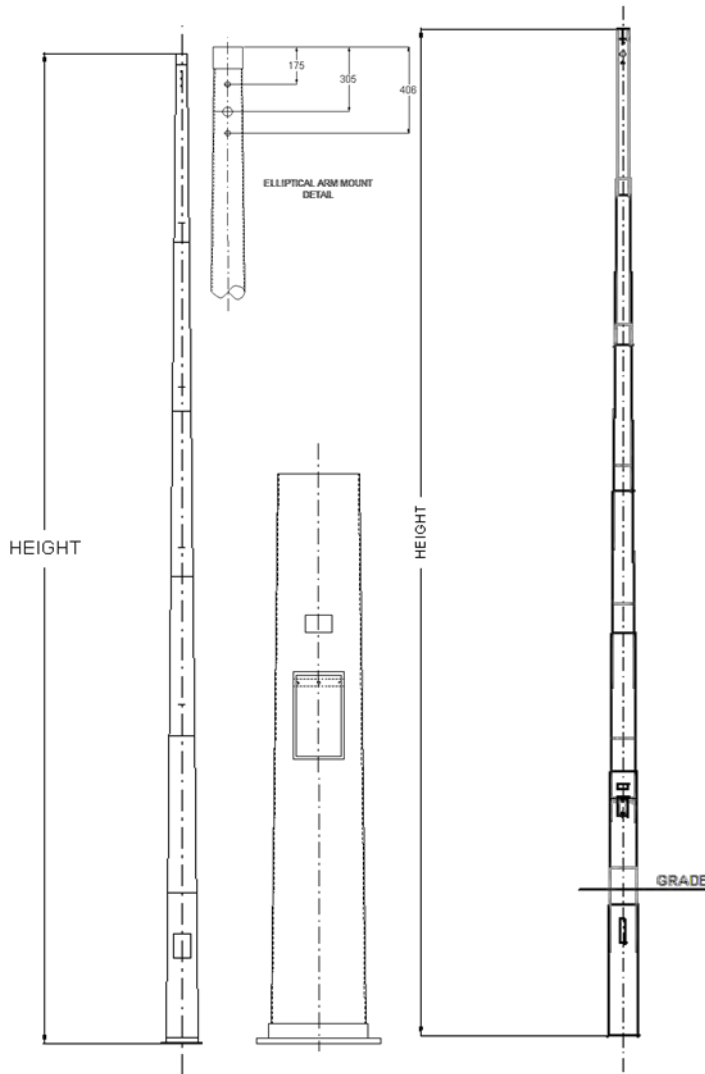
## TAPERED ROUND STEEL SECTIONAL STEEL POLES(pre 3/15/12)

### FEATURES

TAPERED STEEL ROUND SHAFT	GALVANIZED FINISH
ELLIPTICAL ARM MOUNTING STANDARD ON POLES 8.7M+	PRE SET ANCHORS AVAILABLE
7"x12" REINFORCED HAND HOLE FRAME STANDARD	50+ YEARS OF MANUFACTURING EXCELLENCE
TOP CAP STANDARD	

### ORDERING INFORMATION

	Description	Cat. No.
2453old	10.5m Sectional Steel Pole Base, 1-6, Street Lighter Rect. 7x12 Hand Hole	C51980
2453old	8.7m Sectional Steel Pole Base, 2-6, Street Lighter Rect. 7x12 Hand Hole	C51981
2453old	7.0m Sectional Steel Pole Base, 3-6, Rect.7x12 Hand Hole, Base Mtd.	C51982-1
2453old	3.3m Sectional Steel Flasher Pole	B51750
2453old	5.64m Sectional Steel Pole Base Mtd. c/w no.6 base, 1-3, Stub Base Rect. 4x6 Hand Hole (449mm b.c.d.)	A51003-1
2453old	12.0m Sectional Steel Pole Direct Buried, 1-7, Street Lighter Rect. 7x12 Hand Hole, 2 slots	C51983
2453old	10.25m Sectional Steel Pole Direct Buried, 2-7, Street Lighter Rect. 7x12 Hand Hole, 2 slots	C51984
2453old	8.7m Sectional Steel Pole Direct Buried, 2-6, 4x6 Hand Hole, 1 slot	A51742
2453old	7.0m Sectional Steel Pole Direct Buried ,4-6, 4x6 Hand Hole, 1 slot	A51742-2
2453old	5.25m Sectional Steel Pole Direct Buried,3-6, 4x6 Hand Hole, 1 slot	A51742-1



### Sectional steel poles feature:

- Ease of assembly
- Light weight
- Cost effective shipping
- Traffic arm mounting
- Long standing MTO specified item
- DSM listed
- Galvanized finish
- May be coated
- Base Mounted & Direct Buried

AVAILABLE FINISHES	
DB	BRONZE
BL	BLACK
WH	WHITE
GR	GREY
PS	PLATINUM SILVER
GN	GREEN
CU	CUSTOM
GA	GALVANIZED
GLXY	GALAXY - GALVANIZED & POWDERCOATED

OPTIONS:	
POLECOAT STANDARD COATING ANY COLOUR	
ALUMINUM TRAFFIC ARMS AND PODS	
PRE SET ANCHOR BOLTS	
STEEL FABRICATED BASE COVERS	
CUSTOM HEIGHTS AVAILABLE	
CAMERA MOUNTS AVAILABLE	
ALTERNATE FIXTURE MOUNTS AVAILABLE	

PROJECT:	
CUSTOMER:	
JOB#:	
COLOUR:	
QTY:	
NOTES:	

2453 OLD SPEC REGIONAL POLES



# POLEFAB 2017 PRODUCT GUIDE



# 2453 NEW MTO SPEC

TAPERED ROUND STEEL SECTIONAL STEEL POLES(post 3/15/12)

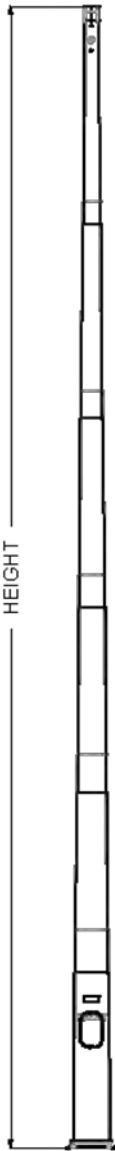
## FEATURES

TAPERED STEEL ROUND SHAFT	GALVANIZED FINISH
ELLIPTICAL ARM MOUNTING	MTO DSM APPROVED PRODUCT
REINFORCED HAND HOLE FRAME STANDARD	THE ROAD AUTHORITY LISTED
TOP CAP STANDARD	CSA S6-06 DESIGN

## ORDERING INFORMATION

2453new	10.5m Sectional Steel Pole Base Mtd. ,1-6, Street Lighter oval 7x12 Hand Hole	C51980T3
2453new	8.7m Sectional Steel Pole Base Mtd. ,2-6, Street Lighter oval 7x12 Hand Hole	C51981T3
2453new	7.0m Sectional Steel Pole Base Mtd. ,3-6, Street Lighter oval 7x12 Hand Hole	C51982-1T3
2453new	3.3m Sectional Steel Flasher Pole	B51750T3
2453new	12.0m Sectional Steel Pole Direct Buried ,1-7, Street Lighter Rect. 4x8 Hand Hole, 2 slots	C51983T3
2453new	10.25m Sectional Steel Pole Direct Buried ,2-7, Street Lighter Rect. 4x8 Hand Hole, 2 slots	C51984T3
2453new	8.7m Sectional Steel Pole Direct Buried ,2-6, Street Lighter Rect. 4x8 Hand Hole, 2 slots	A51742T3
2453new	7.0m Sectional Steel Pole Direct Buried ,3-6, Street Lighter Rect. 4x8 Hand Hole, 2 slots	A51742-2T3
2453new	5.25m Sectional Steel Pole Direct Buried ,4-6, Street Lighter Rect. 4x8 Hand Hole, 2 slots	A51742-1T3

2453 NEW SPEC MTO POLES



Pole Height m	Luminaire and Bracket set	Longest Mast Arm with Head m	Maximum Mast Arm Total Length (Note 1) m	Number of Pedestrian Heads (Note 2)	Traffic Signs (Note 3) m <sup>2</sup>	Street Name Sign (Note 4) m <sup>2</sup>
7.00	1	5.5	11.0	2	0.75	0.97
8.70	1	5.5	11.0	2	0.75	0.97
10.50	1	5.5	11.0	2	0.75	0.97

Notes:

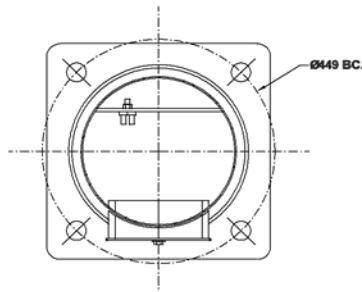
1. Mast arm total length applies to the sum of the lengths of two mast arms at 90-degree orientation.
2. Two pedestrian heads at 90-degree orientation include a set of double arm brackets for each.
3. Traffic signs shall be split to give 0.25 m<sup>2</sup> mounted on the mast arm beside the signal head and 0.5 m<sup>2</sup> mounted at 2.75 m height above the pole base plate.
4. Street name or roadway identification sign shall have a maximum height of 0.45 m and a maximum length of 2.10 m. The sign shall be mounted on each mast arm or pole and the distance between the centre of the sign and the surface of the pole shall not exceed half the length (L) of the mast arm. Pole mounted street name signs shall be mounted at the same height as the mast arm mounted signs or at the top of the pole, whichever is less.

### ALLOWABLE LOADING

#### Sectional steel poles feature:

- Ease of assembly
- Light weight
- Cost effective shipping
- Traffic arm mounting
- Long standing MTO specified item
- DSM listed
- Galvanized finish
- May be coated
- Base Mounted & Direct Buried
- Meets CSA S6-06 design criteria

AVAILABLE FINISHES	
DB	BRONZE
BL	BLACK
WH	WHITE
GR	GREY
PS	PLATINUM SILVER
GN	GREEN
CU	CUSTOM
GA	GALVANIZED
GLXY	GALAXY - GALVANIZED & POWDERCOATED



OPTIONS:
POLECOAT STANDARD COATING ANY COLOUR
ALUMINUM TRAFFIC ARMS AND PODS
PRE SET ANCHOR BOLTS
STEEL FABRICATED BASE COVERS
CUSTOM HEIGHTS AVAILABLE
CAMERA MOUNTS AVAILABLE
ALTERNATE FIXTURE MOUNTS AVAILABLE



# POLEFAB 2017 PRODUCT GUIDE





# 2422 HEAVY DUTY MTO

## TAPERED ROUND STEEL SECTIONAL STEEL POLES HEAVY DUTY

### FEATURES

TAPERED STEEL ROUND SHAFT	GALVANIZED FINISH
ELLIPTICAL ARM MOUNTING	MTO DSM APPROVED PRODUCT
REINFORCED HAND HOLE FRAME STANDARD	THE ROAD AUTHORITY LISTED
TOP CAP STANDARD	

### ORDERING INFORMATION

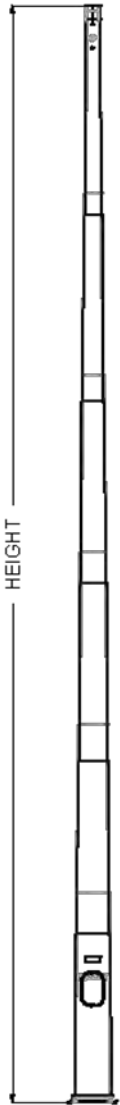
2422	10.5m Heavy Duty Sectional Steel Pole Base,1-6, Street Lighter oval 7x12 Hand Hole, Gussets on Base	C52450-10.5
2422	9.0m Heavy Duty Sectional Steel Pole Base ,Short 2-6, Street Lighter oval 7x12 Hand Hole, Gussets on Base	C52450-9.0
2422	7.5m Heavy Duty Sectional Steel Pole Base ,Short 3-6, Street Lighter oval 7x12 Hand Hole, Gussets on Base	C52450-7.5
2422	6.0m Heavy Duty Sectional Steel Pole Base,Short 4-6, oval 7x12 Hand Hole, Gussets on Base	C52450-6.0

### Heavy Class Steel and Sectional Steel Pole Configurations

Pole Height m	Luminaire and Bracket set	Longest Mast Arm with Head m	Maximum Mast Arm Total Length (Note 1) m	Number of Pedestrian Heads (Note 2)	Traffic Signs (Note 3) m <sup>2</sup>
10.5	1	7.6	13.1	2	0.75
9.0	1	7.6	13.1	2	0.75
7.5	1	7.6	13.1	2	0.75
6.0	0	7.6	13.1	2	0.75

#### Notes:

1. Mast arm total length applies to the sum of the lengths of two mast arms at 90-degree orientation.
2. Two pedestrian heads at 90-degree orientation include a set of double arm brackets for each.
3. Traffic signs shall be split to give 0.25 m<sup>2</sup> mounted on the mast arm beside the signal head and 0.5 m<sup>2</sup> mounted at 2.75 m height above the pole base plate.



#### Sectional steel poles feature:

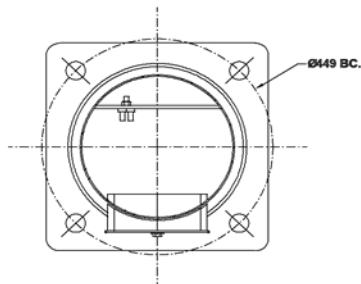
- Ease of assembly
- Light weight
- Cost effective shipping
- Traffic arm mounting
- Long standing MTO specified item
- DSM listed
- Galvanized finish
- May be coated
- Base Mounted & Direct Buried
- Meets CSA S6-06 design criteria

AVAILABLE FINISHES	
DB	BRONZE
BL	BLACK
WH	WHITE
GR	GREY
PS	PLATINUM SILVER
GN	GREEN
CU	CUSTOM
GA	GALVANIZED
GLXY	GALAXY - GALVANIZED & POWDERCOATED

#### OPTIONS:

POLECOAT STANDARD COATING ANY COLOUR  
ALUMINUM TRAFFIC ARMS AND PODS  
PRE SET ANCHOR BOLTS  
STEEL I DEPENDING ON FINISH SELECTED  
CUSTOM HEIGHTS AVAILABLE  
CAMERA MOUNTS AVAILABLE  
ALTERNATE FIXTURE MOUNTS AVAILABLE

PROJECT:  
CUSTOMER:  
JOB#:  
COLOUR:  
QTY:  
NOTES:



# POLEFAB 2017 PRODUCT GUIDE



# ALUMINUM ARMS

FOR USE ON OCTAGONAL OR ROUND TRAFFIC POLES

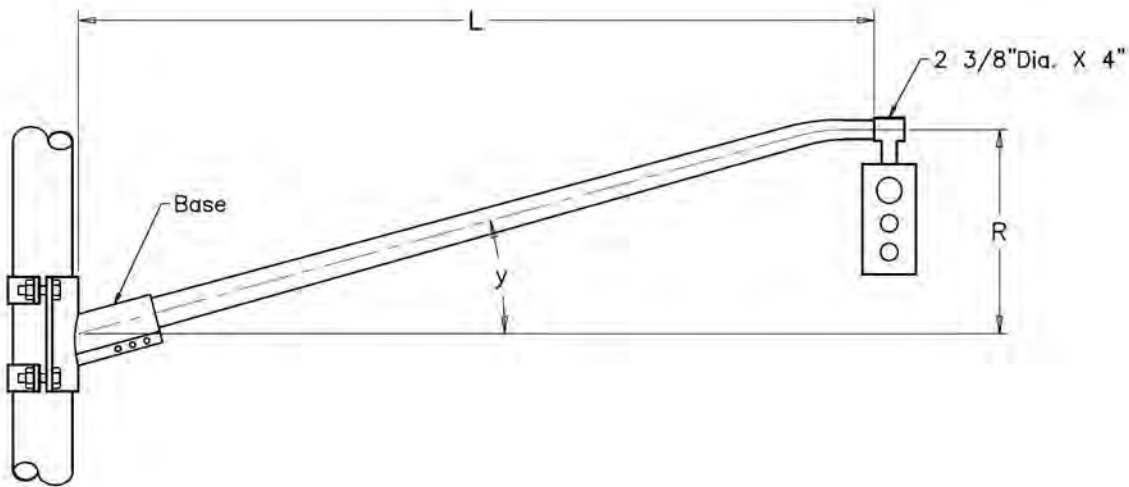
## FEATURES

BRUSHED ALUMINUM FINISH  
WITH GALVANIZED PODS  
HARDWARE INCLUDED  
2 3/8" OD END TENON MOUNT

CAN BE PAINTED TO MATCH POLES

## ORDERING INFORMATION

Catalogue No.	Length (L)	Rise (R)	Angle (y)	Dia. at Base
TSA-4004	4'-0"	1'-9"	25°	4"
TSA-4006	6'-0"	2'-0"	25°	4"
TSA-4008	8'-0"	2'-9"	25°	4"
TSA-4010	10'-0"	2'-0"	15°	5"
TSA-4012	12'-0"	2'-9"	15°	5"
TSA-4015	15'-0"	3'-6"	15°	5"
TSA-4018	18'-0"	3'-0"	10°	6"
TSA-4020	20'-0"	3'-6"	10°	6"
TSA-4022	22'-0"	3'-9"	10°	6"



### AVAILABLE FINISHES

- DB BRONZE
- BL BLACK
- WH WHITE
- GR GREY
- PS PLATINUM SILVER
- GN GREEN
- CU CUSTOM

PROJECT: \_\_\_\_\_  
 CUSTOMER: \_\_\_\_\_  
 JOB#: \_\_\_\_\_  
 COLOUR: \_\_\_\_\_  
 QTY: \_\_\_\_\_  
 NOTES: \_\_\_\_\_

ALUMINUM ARMS

# POLEFAB 2017 PRODUCT GUIDE



# PFPT SERIES

## DECORATIVE TUBE POLE WITH TWIN OR TRIPLE ARM

### FEATURES

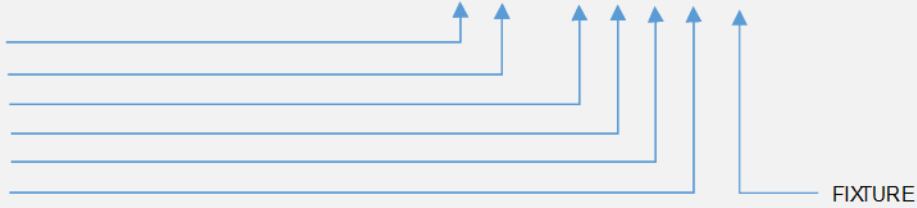
STRAIGHT STEEL ROUND SHAFT  
 SLOTTED BCD ASSISTS IN FIELD RETROFITS  
 BASE COVER OR NUT COVERS INCLUDED  
 REINFORCED HAND HOLE FRAME STANDARD

POWDERCOAT STANDARD COLOUR FINISH  
 MEETS AASHTO & CSA S6-06 STANDARDS  
 ACCOMMODATE ALMOST ANY FIXTURE  
 INCLUDES J-ANCHOR BOLTS

### ORDERING INFORMATION

Example PF PT346 10 XX B XX XX

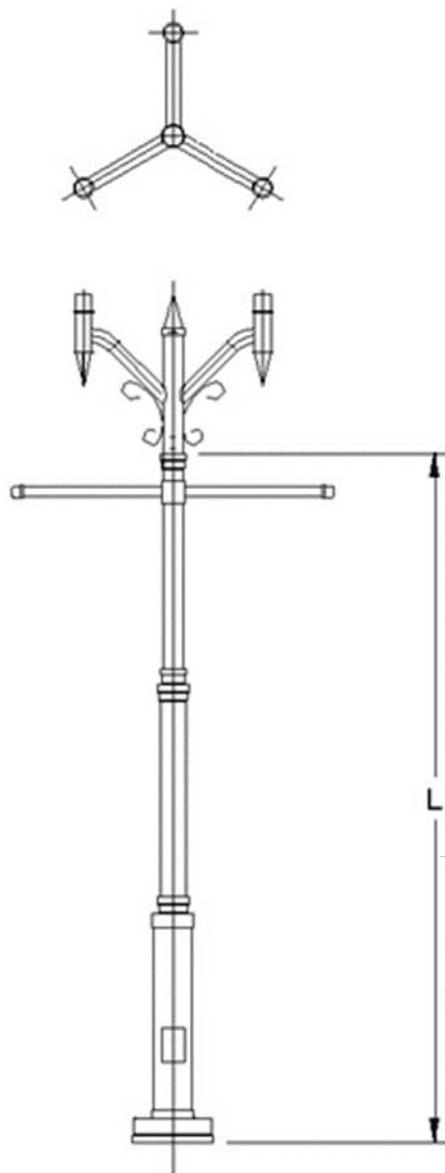
POLEFAB PART#  
 CAT#  
 HEIGHT  
 BASE#  
 BM/DB  
 ARM



Cat#	Height	Fixt #
PT346-10	10'	4
PT346-11	11'	4
PT346-12	12'	4

### INCLUDES

PIPE TENON  
 HAND HOLE ACCESS & COVER  
 LADDER RESTS  
 FLAG HOLDERS  
 ANCHOR BOLTS  
 AVAILABLE WITH 1-4 ARM MOUNTS



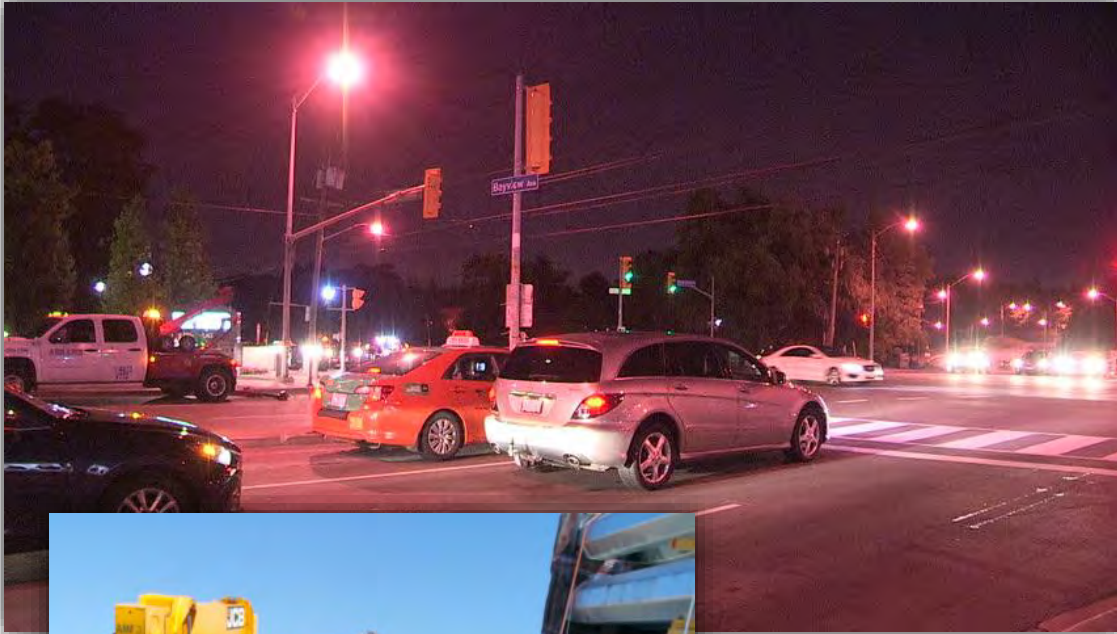
AVAILABLE FINISHES	
DB	BRONZE
BL	BLACK
WH	WHITE
GR	GREY
PS	PLATINUM SILVER
GN	GREEN
CU	CUSTOM
GA	GALVANIZED
GLXY	GALAXY - GALVANIZED & POWDERCOATED

**NOTES:**  
 BCD SHOWN IS +/- 1/2" SLOTS  
 ANCHOR BOLT HOLES ARE BOLT DIA +1/4"  
 BASE COVER MAY BE PLASTIC OR STEEL  
 DEPENDING ON FINISH SELECTED  
 CUSTOM HEIGHTS AVAILABLE  
 CUSTOM COLOURS REQUIRE STEEL BASE COVER  
 ANCHORS ARE GALVANIZED WITH 2 NUTS & 2 WASHERS  
 CONTACT THE FACTORY FOR CUSTOM APPLICATIONS  
 ALL POLES MAY BE SUPPLIED DIRECT BURIED

PROJECT:  
 CUSTOMER:  
 JOB#:  
 COLOUR:  
 QTY:  
 NOTES:

PFPT DECO SERIES

# METRO TRAFFIC POLES



Do you need galvanized & powdercoated poles for your project? We can supply painted traffic poles and aluminum arms, as well as Pre set anchor systems.

Polefab is your One Stop Traffic & Pole supplier.



# METRO TRAFFIC POLES

Polefab rounds out its industry leading traffic pole offering to our customers by adding the Octagonal Traffic pole series used when our sectional poles are not specified, making Polefab the only 'one stop traffic shop' in Canada.

Paired with aluminum arms, pods, and pre set anchors, Polefab can supply all your traffic needs and deliver at one time, in order to streamline your ordering process.



## 8300 series poles

- Pedestrian poles
- 229(9")BCD for 19mm bolts
- Post top/top cap option
- 4"x12" reinforced hand hole frame
- Pre set anchor cage available

## 8500/8600 series poles

- Traffic poles
- 396-406mm BCD for 32mm bolts
- Top cap included
- Poles over 24' include pole top arm drilling
- 4"x12" reinforced hand hole frame
- Pre set anchor cage available

For maximum arm spans, contact factory sales member

Meeting the requirements of Metro Specifications TTS 805.200(Jan12), and Drawing #805.050, Polefab confirms conformance to supply Metro Traffic Poles. Polefab also conforms to CSA W47 & CWB W59, fully approved. Call us today for more information and pricing.

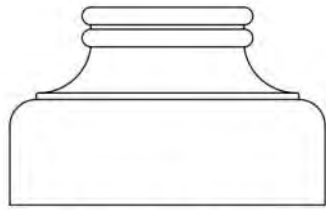


Pedestrian Poles	
8310-HDG	10' Traffic Pole
8312-HDG	12' Traffic Pole
8315-HDG	15' Traffic Pole
Standard Traffic Poles	
8512-HDG	12' Traffic Pole
8515-HDG	15' Traffic Pole
8520-HDG	20' Traffic Pole
8524-HDG	24' Traffic Pole
8530-HDG	30' Traffic Pole
8535-HDG	35' Traffic Pole
8540-HDG	40' Traffic Pole
Heavy Duty Traffic Poles	
8620-HDG	20' Heavy Duty Traffic Pole
8624-HDG	24' Heavy Duty Traffic Pole
8630-HDG	30' Heavy Duty Traffic Pole
8635-HDG	35' Heavy Duty Traffic Pole

8300, 8500 & 8600 TRAFFIC POLES



# CAST ALUMINUM BASES



**TWO PIECE BASE SIZE:**  
15" W x 8.5" H  
Cast Aluminum

**Shaft Options:**

Butt Diameters - Mounting Heights	
4"	up to 18'
5"	up to 20'
6"	up to 25'

THE 'ONTARIO' BASE



17" W x 28.75" H



20" W x 35" H

**TWO-PIECE BASE SIZES:**  
Cast Aluminum

**17" W x 28.75" H**

Shaft Options:

Butt diameter-Mounting Height

4"	up to 18'
5"	up to 20'
6"	up to 25'

**20" W x 35" H**

Shaft Options:

Butt diameter-Mounting Height

5"	up to 20'
6"	up to 25'
7"	up to 30'
8"	up to 40'

THE 'YORK' BASE



**TWO-PIECE BASE SIZES:**  
Cast Aluminum

**17" W x 21" H**

Shaft Options:

Butt diameter - Mounting Height

4"	up to 18'
5"	up to 20'

**20" W x 23" H**

Shaft Options:

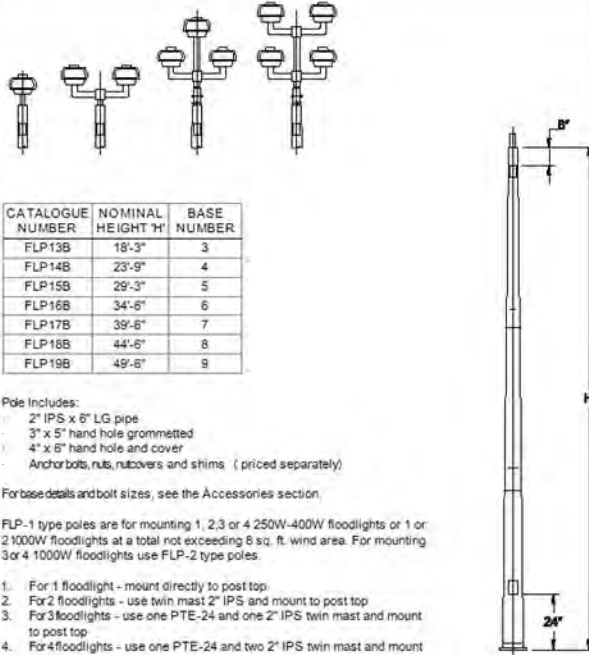
Butt diameter - Mounting Height

5"	up to 20'
6"	up to 25'
7"	up to 30'
8"	up to 40'

THE 'HERITAGE' BASE



# STRUCTURE CAPABILITY



CATALOGUE NUMBER	NOMINAL HEIGHT 'H'	BASE NUMBER
FLP13B	18'-3"	3
FLP14B	23'-9"	4
FLP15B	29'-3"	5
FLP16B	34'-6"	6
FLP17B	39'-6"	7
FLP18B	44'-6"	8
FLP19B	49'-6"	9

Pole Includes:

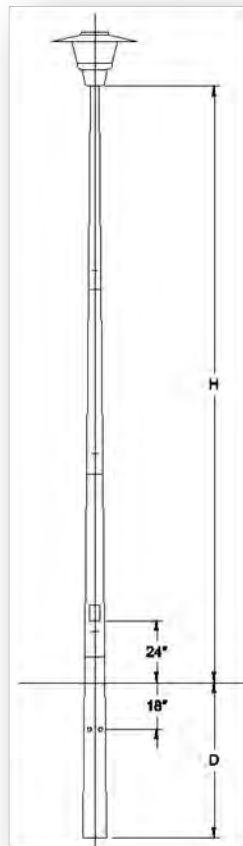
- 2" IPS x 8" LG pipe
- 3" x 5" hand hole grommetted
- 4" x 6" hand hole and cover
- Anchor bolts, nuts, nutcovers and shims (priced separately)

For base details and bolt sizes, see the Accessories section.

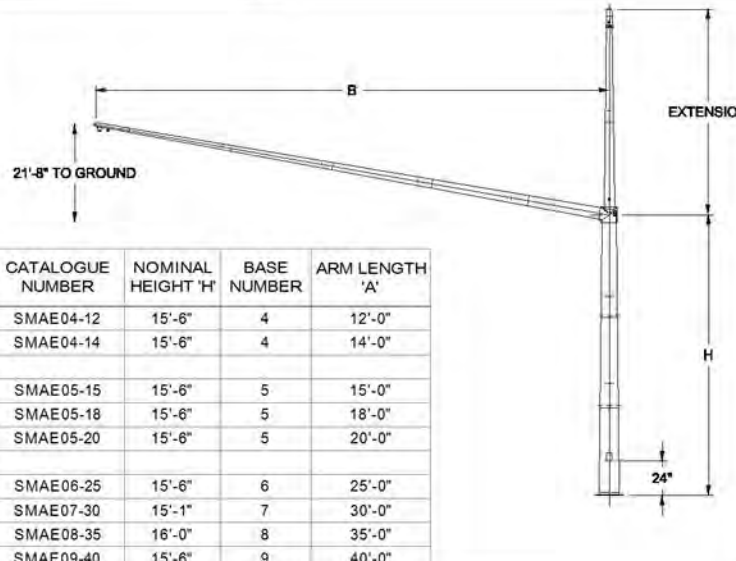
FLP-1 type poles are for mounting 1, 2, 3 or 4 250W-400W floodlights or 1 or 2 1000W floodlights at a total not exceeding 8 sq. ft. wind area. For mounting 3 or 4 1000W floodlights use FLP-2 type poles.

- For 1 floodlight - mount directly to post top.
- For 2 floodlights - use twin mast 2" IPS and mount to post top.
- For 3 floodlights - use one PTE-24 and one 2" IPS twin mast and mount to post top.
- For 4 floodlights - use one PTE-24 and two 2" IPS twin mast and mount to post top.

## SPORTS LIGHTING



## POST TOP LIGHTING



CATALOGUE NUMBER	NOMINAL HEIGHT 'H'	BASE NUMBER	ARM LENGTH 'A'
SMAE04-12	15'-6"	4	12'-0"
SMAE04-14	15'-6"	4	14'-0"
SMAE05-15	15'-6"	5	15'-0"
SMAE05-18	15'-6"	5	18'-0"
SMAE05-20	15'-6"	5	20'-0"
SMAE06-25	15'-6"	6	25'-0"
SMAE07-30	15'-1"	7	30'-0"
SMAE08-35	16'-0"	8	35'-0"
SMAE09-40	15'-6"	9	40'-0"

## CANTILEVER POLES

CATALOGUE NUMBER	NOMINAL HEIGHT ABOVE GRADE 'H'	LENGTH BELOW GRADE 'D'
PT02D	13'-6"	5'-0"
PT03D	19'-3"	5'-0"
PT04D	24'-9"	5'-0"
PT05D	30'-3"	5'-0"
PT06D	35'-6"	5'-0"
PT07D	39'-6"	6'-0"
PT13D	13'-3"	5'-0"
PT14D	18'-9"	5'-0"
PT15D	24'-3"	5'-0"
PT16D	29'-6"	5'-0"
PT17D	34'-6"	5'-0"

STRUCTURE CAPABILITY

# POLEFAB 2017 PRODUCT GUIDE



# HYBRID

## WIND & SOLAR POWERED POLES

### FEATURES

PIPE OR TAPERED STEEL ROUND SHAFT  
 SLOTTED BCD ASSISTS IN FIELD RETROFITS  
 BASE COVER OR NUT COVERS INCLUDED  
 BATTERY RACK HAND HOLE FRAME STANDARD

GALVANIZED FINISH  
 MEETS AASHTO & CSA S6-06 STANDARDS  
 SOLAR PANEL, MOUNT & TURBINE INCLUDED  
 INCLUDES ANCHOR BOLTS

# HYBRID SOLAR LIGHTING POLE

## HYBRID TECHNOLOGY MADE SIMPLE...

### Step 1

#### Assemble the Pole and Mount the Hardware:

For this project we chose the sectional steel pole, which is a 35' galvanized steel pole that fits together by sliding a successively smaller section over the lower section. This is the same process they use for those giant light poles at major highways. The pole arrives on a standard skid and can easily be assembled by two people with a block of wood and a sledgehammer.



- Fabricated to custom heights
- Single or multiple solar panels
- Vertical wind turbine
- Fixture arm & LED low voltage light
- Fully programmable Controller unit.
  - Set on/off time
  - Turn on single fixture or both
  - Set voltage to fixture
- Excellent in all conditions due to wind & solar combination
- Call for quotes

Once the pole is assembled, we mounted the attachment arms, solar panel, wind turbine and LED light.



### Step 2

#### Dig the hole, insert base section and backfill:

The safest and cleanest way to excavate the hole is to use a HydroVac. This is basically a large vacuum truck that uses high pressure water to break up the soil and a vacuum attachment to suck up the loose dirt. There is very little risk of cutting into any services (underground utility and communication lines) that may have been missed by the locating service.



As you can see, the hole is very clean with no soil to clean up and remove from site. The base section of pole is then inserted in the hole, back filled and compacted using an appropriate fill for the surrounding soil conditions.

For this project we used the Roadway 88W LED street light, a 250W solar panel and the Daisy D5300W wind turbine.

### Step 3

#### Mount the pole on the base:

The pole and all components weighs just over 1,000 lbs - a simple bucket truck easily handled the install. Once attached to the base, the final wiring was done and the sun and wind got to work charging the batteries.



As you can see the process is very simple and the pole was installed and running in less than a day.

PROJECT: \_\_\_\_\_  
 CUSTOMER: \_\_\_\_\_  
 JOB#: \_\_\_\_\_  
 COLOUR: \_\_\_\_\_  
 QTY: \_\_\_\_\_  
 NOTES: \_\_\_\_\_



21 BALES DRIVE - UNIT 6 - SHARON(NEWMARKET) - ON - L0G-1V0  
 844-216-7414

[WWW.POLEFAB.COM](http://WWW.POLEFAB.COM)



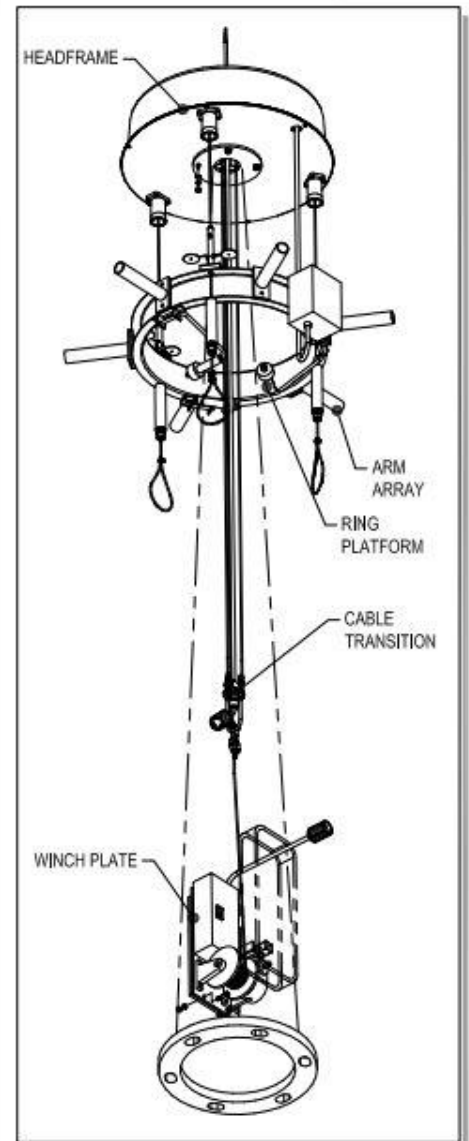
## LOWERING DEVICE

Polefab is pleased to represent Stratus Lowering devices in the Canadian market, featuring the only Stainless Steel option in Canada.

We have the ability to provide internal & external drive units, and well as full top latch or bottom latch arrangement.

As well as standard circular arrangements, we have the capability of providing sportslighting and one way facing systems.

Contact us for more information on capability, approvals, and opportunities.



# SAFEPOLE

## ENERGY ABSORBING OCTAGONAL POLE

*The statistics are eye-opening, the images are even more so. Yet many auto accident deaths could have so easily been prevented.*



Unnecessary Outcome



Crash tested to 110kph

It's universally agreed that road safety is a major issue globally, particularly during Winter storm months. To educate drivers by using TV, Press and Radio campaigns is one answer in bringing down the accident rates and death toll.

Another complimentary approach is to make the actual road environment safer if you are involved in an accident.

Polefab is working towards making the road environment a safer place to drive, with the introduction of our revolutionary collapsible 'driver-friendly' lamp post, which we call the SafePole. SafePole is a revolutionary impact absorbing light pole that can **save lives, limit injuries and protect the innocent**. Drivers and passengers of vehicles which impact a SafePole will walk away alive, something which cannot be said for many light poles that occupy our roads today.

- Roadway base mounted steel or Concrete pole replacement
- Impact absorbing light pole, crash tested to 110 kph
- Designed to deform and capture the impacting vehicle
- Mounting heights up to 12.5m
- Ease of installation, lighter equipment needed than with concrete
- Reduce serious trauma and injury by choosing the Polefab SafePole.
- May be painted almost any colour
- Octagonal galvanized steel, direct buried.
- Full complement of Safety products available for all roadway areas.
- Sectional Traffic safety poles for traffic arms
- Aluminum traffic arms & elliptical arms
- Roadway energy absorbing SafePole
- Transpo breakaway anchor couplings
- Pre Set anchor bolt cages
- Replace your concrete poles
- Install SafePole in all new construction
- Replace traffic poles with sectional crash tested poles
- Create a safe driving environment

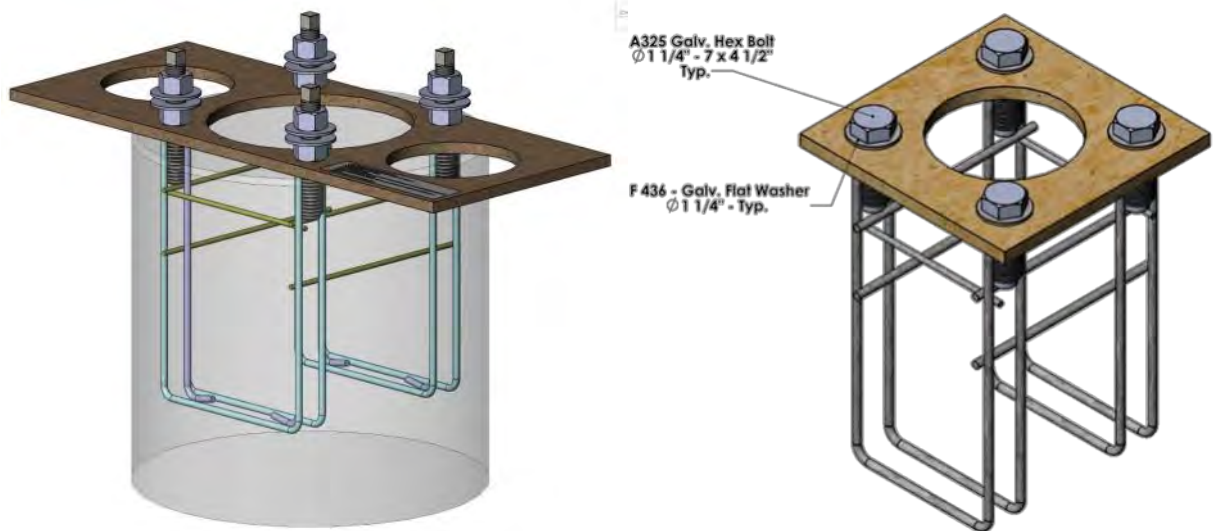
SafePole is an octagonal steel pole, direct buried that is primarily designed to be used as roadway lighting, and will accommodate an aluminium elliptical arm for cobra head style lighting.

Designed to DEFORM & CAPTURE errant vehicles, these poles complement the Polefab line of Safety products, with our traditional round tapered sectional steel traffic poles used to improve safety conditions in intersections.

PROJECT:	
CUSTOMER:	
JOB#:	
COLOUR:	
QTY:	
NOTES:	

ENERGY ABSORBING 'SAFEPOLE'

# BASES & ANCHORS

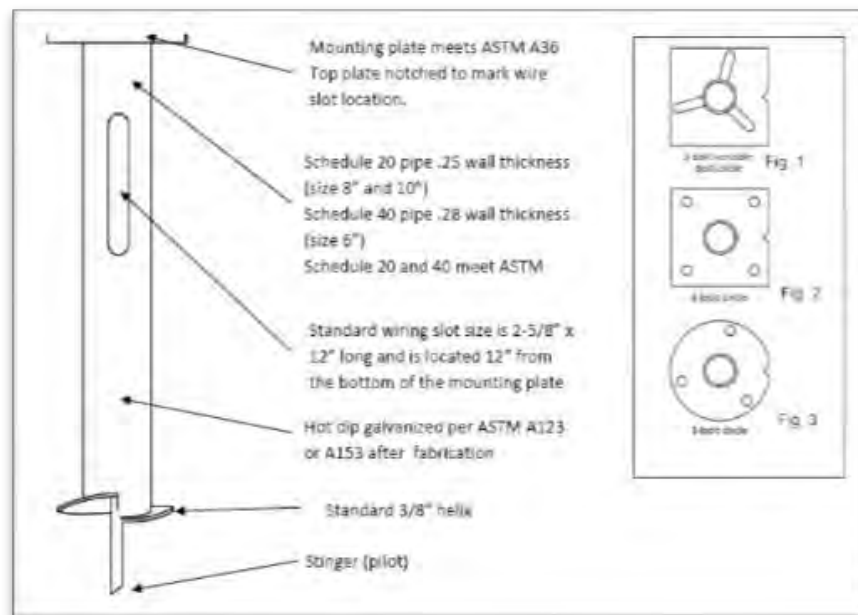


DESCRIPTION	SPECIFICATION
292 BCD x 457 Deep 1" Studs	UTS 616.020
292 BCD x 457 Deep 1" Bolts	UTS 616.021
396 BCD x 600 Deep 1-1/4" Bolts	807.015 (Toronto)
406 BCD x 250 Deep 1-1/4" Studs	OPSD 2215.02 (MTO)
406 BCD x 457 Deep 1-1/4" Studs	OPSD 2215.02 (MTO)
406 BCD x 457 Deep 1-1/4" Bolts	4-7-1 (Peel)
449 BCD x 457 Deep 1-1/4" Studs	OPSD 2215.02 (MTO)
449 BCD x 457 Deep 1-1/2" Studs	OPSD 2215.025 (MTO)

## PRE SET ANCHOR CAGES

MANY BCD'S, DIAMETERS AND DEPTHS STOCKED

- CONTACT FACTORY FOR DETAILS



## SCREW IN PILE BASES

# ANCHORS

## FEATURES

J BOLTS  
 CUSTOM ANCHOR ASSEMBLIES  
 ANCHOR BOLT CLUSTERS  
 MTO SPECIFICATION ANCHORS

HIGH MAST ANCHORS  
 TRICORD ANCHORS  
 CANTILEVER ANCHORS  
 UTILITY STRUCTURE ANCHORS



Polefab can provide anchor bolt assemblies in any grade, diameter, BCD & length.

**SPECIFICATION:** ASTM F1554-07 Gr55 &/or AASHTO M314-10/2009 Gr55 (LOW ALLOY) With S1 Supplement

**ROUND BAR:** CARBON EQUIVALENT - 45% MAX YIELD STRENGTH - 85 KSI MIN; 2% offset TENSILE STRENGTH 75 TO 95 KSI

ELONGATION: 18% MIN or ELONGATION 2-21% MIN

REDUCTION AREA - 30% MIN (1/2" to 3")  
 REDUCTION AREA - 20% MIN (3/2" to 2 1/2")  
 REDUCTION AREA - 20% MIN (2 1/2" to 3")

**GALVANIZE:** ASTM A153 CLASS C & F2029

**NUTS:** ASTM A563 Grade as noted, AN81 B1E 22

**NUT GALVANIZING:** DOMESTIC NUTS ASTM A153, CLASS C & F2029  
 IMPORT NUTS ASTM - A153, CLASS C

**THREADS:** UNIFIED NATIONAL COARSE  
 AN81 B1 CLASS 3A  
 THREADS ARE ROLLED OR CUT

**WASHERS:** ASTM F436

QTY	DESCRIPTION	D	L	H	T	G	WT BOLT ONLY
2,250	- 4 1/2 UNC 2A x 12" (89" x 7") GALV 24"	2 1/4"	89"	7"	12"	24"	84.46
2,000	- 4 1/2 UNC 2A x 10" (90" x 6") GALV 20"	2"	90"	6"	10"	20"	73.20
2,000	- 4 1/2 UNC 2A x 10" (84" x 6") GALV 20"	2"	84"	6"	10"	20"	68.63
1,750	- 5 UNC 2A x 10" (84" x 6") GALV 20"	1 3/4"	84"	6"	10"	20"	62.50
1,500	- 8 UNC 2A x 10" (54" x 6") GALV 20"	1 1/2"	54"	6"	10"	20"	25.25
1,250	- 7 UNC 2A x 10" (48" x 6") GALV 20"	1 1/4"	48"	6"	10"	20"	15.98
1,250	- 7 UNC 2A x 8" (42" x 6") GALV 16"	1 1/4"	42"	6"	8"	18"	14.20
1,000	- 8 UNC 2A x 6" (48" x 4") GALV 12"	1"	46"	4"	6"	12"	9.78
1,000	- 8 UNC 2A x 6" (36" x 4") GALV 12"	1"	36"	4"	6"	12"	7.50
750	- 10 UNC 2A x 6" (30" x 3") GALV 12"	3/4"	30"	3"	6"	12"	3.44
750	- 10 UNC 2A x 6" (27" x 3") GALV 12"	3/4"	27"	3"	6"	12"	3.13
750	- 10 UNC 2A x 6" (24" x 3") GALV 12"	3/4"	24"	3"	6"	12"	2.82
750	- 10 UNC 2A x 6" (17" x 3") GALV 20"	3/4"	17"	3"	6"	20"	2.09

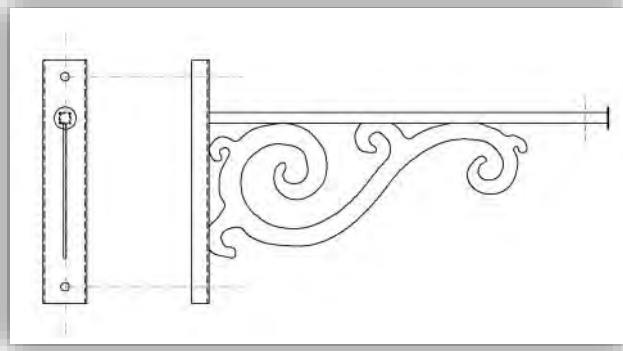
Polefab stocks J-bolts 55ksi for quick delivery, and uses steel templates, not paper.

We stock 3/4" & 1" diameters, and can source any type required.



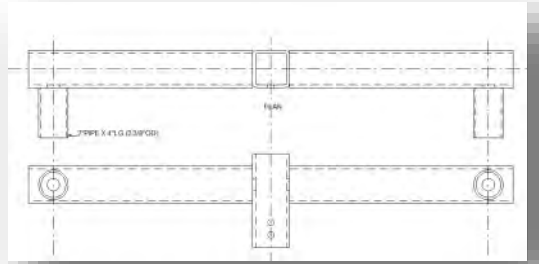
ANCHORS

# BULLHORNS & ARMS

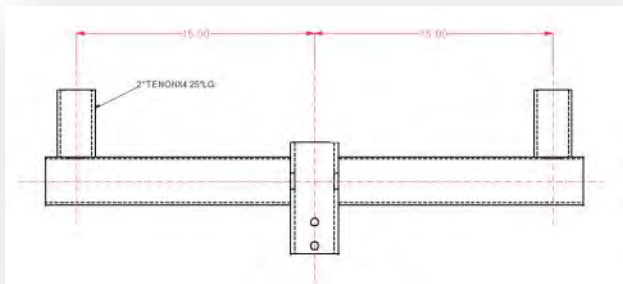


CUSTOM FLOWER PLANTER BRACKETS

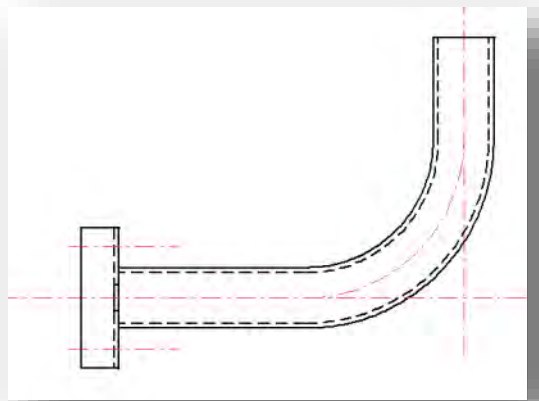
Polefab can design, match & fabricate any arm you may need for your project. We can adjust spans, diameters and mountings to your requirements.



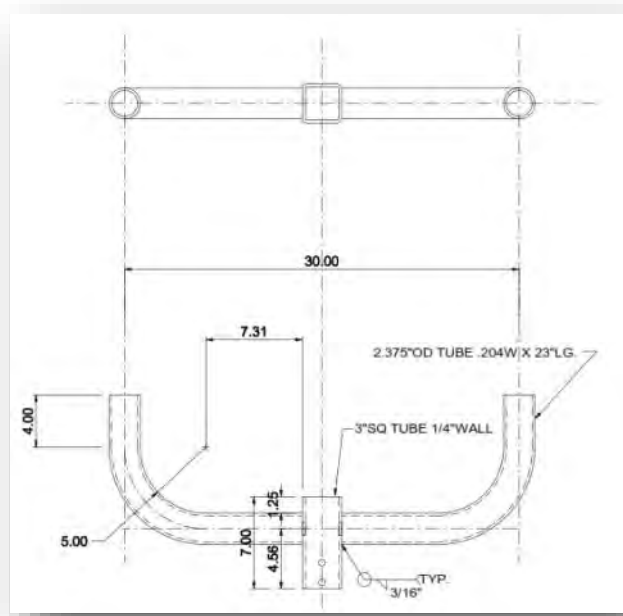
CUSTOM AUTO DEALER ARM BRACKETS



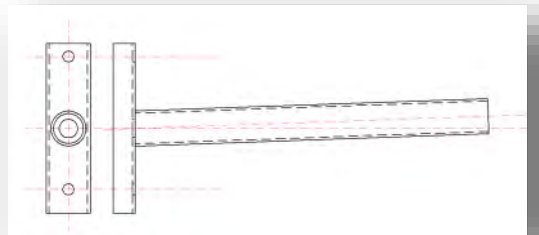
CUSTOM SQUARE TUBE ARM BRACKETS



CUSTOM RHINO PIPE ARM BRACKETS



BULLHORN PIPE ARM BRACKETS



CUSTOM LED RETROFIT ARM BRACKETS



# TERMS & CONDITIONS

**Conditions:** All orders or contracts are accepted with the understanding that they are subject to POLEFAB's ability to obtain the necessary raw materials, and all orders or contracts as well as shipments applicable thereto are subject to POLEFAB's current manufacturing schedules, and government regulations, orders, directives and restrictions that may be in effect from time to time.

**Quotations:** Written quotations automatically expire thirty (30) calendar days from the date issued unless otherwise stated on the face of the quotation. Quotes are subject to termination by notice within that period. Quotations are subject to correction in the event of stenographic or clerical errors. Prices quoted are for specific quantities shown, released for manufacture and shipment at one time to one destination unless otherwise stated. Any change in the quantity of an order and/or split shipments are subject to price revision.

**Prices:** Prices are subject to change without notice and orders calling for future shipment will be billed according to the price in effect at the time of shipment, unless otherwise specified.

**Shipment:** All prices are F.O.B. POLEFAB's factory (Newmarket, Ontario), unless otherwise stated. Method and route of shipment are at POLEFAB's discretion, unless the Buyer supplies explicit shipping instructions. When method of shipment is specified by Buyer, any additional shipping expense will be charged to Buyer. Shipping charges are not intended to guarantee the delivery at or to destination. Identification of goods to the contract shall occur as each shipment is placed in the hands of the carrier.

**Deliveries:** Deliveries shall be subject to, and contingent upon, strikes, labor difficulties, civil unrest, war, fire, delay or defaults of common carriers, failure or curtailment in POLEFAB's usual sources of supply, governmental decrees or orders, or without limiting the foregoing, any other delays beyond POLEFAB's reasonable control, and POLEFAB shall not be liable for any loss or damage arising therefrom. POLEFAB shall have the additional right, in the event of the happening of any of the above contingencies, at its option, to cancel this contract or any part thereof, without any resulting liability. Shipments made within twenty (20) days after specified date of delivery shall constitute a good delivery. Any delivery not in dispute shall be paid for regardless of other controversies relating to other delivered or undelivered merchandise.

**Packaging:** Unless otherwise stated on the face of the quotation, all packaging will be in accordance with POLEFAB's standard practices for domestic shipments.

**Taxes:** Prices on the specified products are exclusive of all municipal, regional, state, provincial and federal excise taxes, including without limitation, taxes on manufacture, sales, receipts, gross income, occupation, use and similar taxes. Wherever applicable, any tax or taxes will be added to the invoice as a separate charge to be paid by the Buyer.

**Warranty:** The equipment, apparatus, and parts are warranted against defects in materials and workmanship for a period of one (1) year from the date of shipment, excepting those items normally consumed in service, unless failure is due to improper installation or misapplication. POLEFAB MAKES NO OTHER WARRANTIES, EXPRESS OR IMPLIED, INCLUDING ANY LOSS OR DAMAGE, DIRECTLY OR INDIRECTLY, ARISING FROM THE USE OF SUCH MERCHANDISE OR FOR CONSEQUENTIAL DAMAGES, INCLUDING BUT NOT LIMITED TO LIQUIDATED DAMAGES AND BACK CHARGES. POLEFAB will, at its sole option, repair, replace or credit Buyer's account for any equipment or part which proves defective under its warranty provided that the Buyer notifies POLEFAB in writing of such defect within the appropriate warranty period. This warranty does not include reimbursement for the expense of installation, removal of equipment, transportation or any other expenses which may be incurred. Authorization must be obtained from POLEFAB before any material is returned. The foregoing states the Buyer's sole remedy for any breach of warranty by POLEFAB.

**POLEFAB'S Right of Possession:** POLEFAB shall have the right, in addition to all others it may possess, at any time, for credit reasons or because of Buyer's default or defaults, to withhold shipments, in whole or in part, and to recall goods in transit, retake same, and repossess all goods which may be stored with POLEFAB for Buyer's account, without the necessity of taking any other proceedings, and Buyer consents that all the merchandise is so recalled, retaken or repossessed shall become POLEFAB's absolute property, provided that the Buyer is given full credit therefrom.

**Controlling Provisions:** These terms and conditions shall supersede any provisions, terms and conditions contained on any confirmation order, or other writing Buyer may give or receive, and the rights of the parties shall be governed exclusively by the provisions, terms and conditions hereof. POLEFAB makes no representations or warranties concerning this order such as are expressly contained herein, and this order may not be changed or modified orally.

**Purchase Order:** If this quotation is accepted and Buyer's order form is used for the purpose, it is expressly understood and agreed that the terms and conditions herein set forth shall prevail insofar as the same may in any way conflict with the terms and conditions set forth in such order form, and the issuance of such order by Buyer shall be deemed to note Buyer's assent to the foregoing.

**Payment Terms:** Net amount of invoice is due and payable in full within thirty (30) days of invoice date. If in POLEFAB's opinion, the financial condition of the Buyer at any time does not justify continuance of production or shipment on the terms of payment specified, POLEFAB may require full or partial payment in advance of manufacture or shipment. Any indebtedness owing to POLEFAB for a period longer than thirty (30) days shall bear interest until paid at the current prime rate as stated by the Bank of Canada. If POLEFAB finds it necessary to place any indebtedness hereunder in the hands of an attorney for collection, the Buyer shall pay all expenses and costs of collection, including reasonable attorney's fees.

**Liability:** POLEFAB shall not be liable for loss or damage of any kind resulting from delay or inability to deliver on account of fire, labor troubles, accident, acts of civil or military authorities, wartime conditions, extraordinary climatic conditions or from any other cause beyond POLEFAB's control.

**Cancellation:** An order once placed and accepted by POLEFAB can be cancelled only with POLEFAB's consent and upon terms that will indemnify POLEFAB against loss.

**Returned Material:** In no case are goods to be returned without prior written consent. Only unused material as currently manufactured, which has been invoiced to Buyer, within ninety (90) days, will be considered for return. Material accepted for credit is subject to a minimum service charge of ninety-five percent (95%) plus all transportation charges. Material built to order is not subject to return for credit under any circumstances. Goods must be securely packaged to reach POLEFAB without damage.

**General:** The provisions on the face hereof and these Terms and Conditions constitute the entire agreement among the parties and supersede the provisions of any purchase order, other communication between the parties or any statement or representation not included herein. This agreement may not be modified or amended except in a writing signed by the party intended to be bound thereby. This agreement shall be governed by the laws of the Province of Ontario.

**Notice:** The carton of parts has been carefully packed. Manufacturer will not be responsible for any shortages if they are not reported within 48 hours after arrival. Minimum billing is \$50.00.

TERMS & CONDITIONS



21 BALES DRIVE - UNIT 6 - SHARON(NEWMARKET) - ON - L0G-1V0  
844-216-7414

[WWW.POLEFAB.COM](http://WWW.POLEFAB.COM)

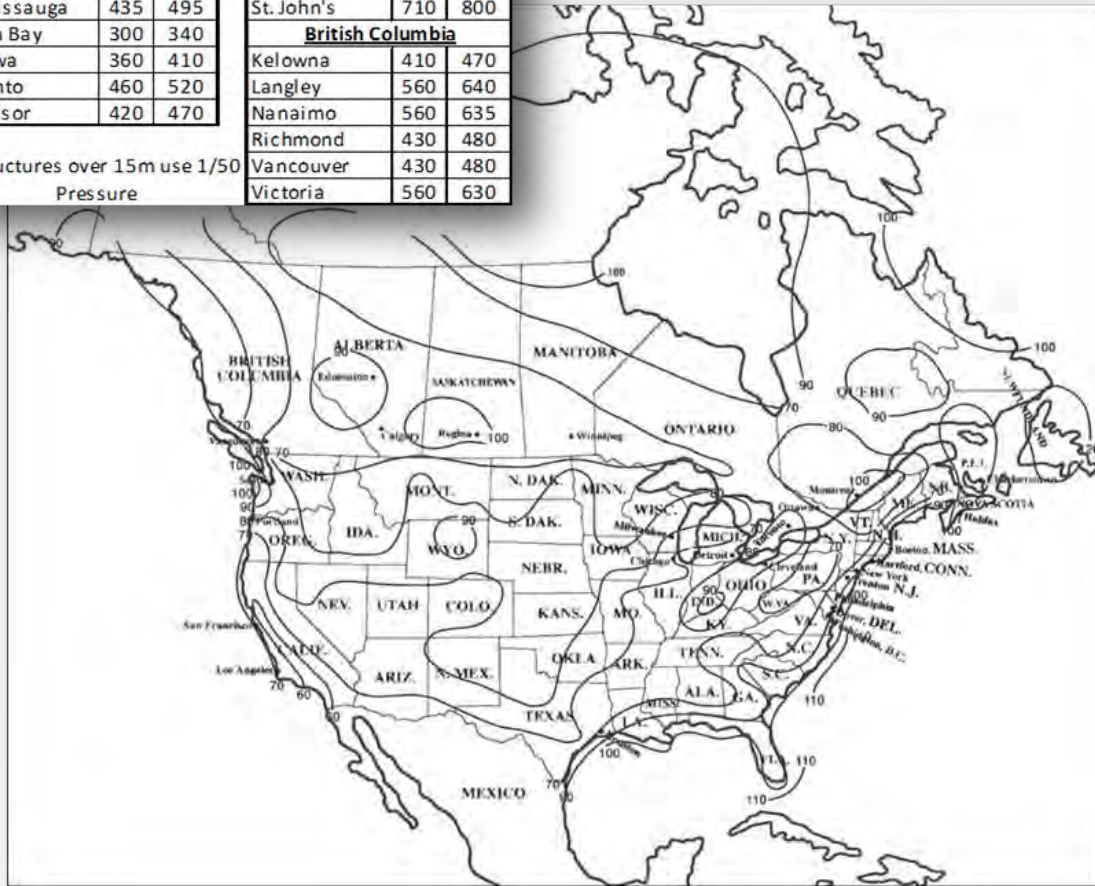


# WIND PRESSURES & MAPS

Table A3.1.1  
Reference wind pressure and seismic zoning  
(See Clauses 3.10.1.2, 3.13, and 4.4.3.)

Location	25yr	50yr*	Location	25yr	50yr*
<b>Alberta</b>			<b>Quebec</b>		
Calgary	455	495	Brossard	365	400
Edmonton	390	450	Dorval	365	400
Fort McMurray	310	350	Gaspé	700	785
Lethbridge	745	825	Montreal	365	400
Red Deer	365	405	Quebec	460	520
<b>Saskatchewan</b>			Rimouski	535	600
Estevan	495	560	<b>New Brunswick</b>		
Lloydminster	360	410	Chatham	360	415
Moose Jaw	415	460	Edmunston	380	440
Regina	385	420	Fredericton	360	410
Saskatoon	425	480	Moncton	560	640
<b>Manitoba</b>			Saint John	460	520
Brandon	435	490	<b>Nova Scotia</b>		
Flin Flon	390	440	Dartmouth	505	590
Winnipeg	405	450	Halifax	505	590
<b>Ontario</b>			Truro	455	530
Ajax	510	570	Yarmouth	495	560
Aurora	380	440	<b>PEI</b>		
Burlington	415	460	Charlottetown	530	590
Exeter	455	525	<b>Newfoundland &amp; Labrador</b>		
Fort Erie	415	460	Corner Brook	670	745
London	455	535	Gander	535	595
Mississauga	435	495	St. John's	710	800
North Bay	300	340	<b>British Columbia</b>		
Ottawa	360	410	Kelowna	410	470
Toronto	460	520	Langley	560	640
Windsor	420	470	Nanaimo	560	635
			Richmond	430	480
			Vancouver	430	480
			Victoria	560	630

\* structures over 15m use 1/50 Pressure



# POLEFAB 2017 PRODUCT GUIDE



21 BALES DRIVE - UNIT 6 - SHARON(NEWMARKET) - ON - L0G-1V0  
844-216-7414 [WWW.POLEFAB.COM](http://WWW.POLEFAB.COM)





Contact the factory for quotes, tenders etc.

**Sales:** Joe Bettinelli  
Joe.Bettinelli@Polefab.com  
416-816-4049  
844-216-7414 x 277

**Service/Sched:** Cathy Manzato  
Cathy.Manzato@Polefab.com  
844-216-7414 x 276

**Outside Sales:** Randy Baker  
Randy.Baker@Polefab.com  
705-717-6902  
844-216-7414 x 280

**Fax:** 905-836-5612

**Email inquiries:** sales@polefab.com  
administration@polefab.com

21 Bales Drive W  
SHARON(NEWMARKET), ONTARIO L0G-1V0  
844-216-7414  
WWW.POLEFAB.COM

