



Aluminum Traffic Arms & Steel Pods



Polefab has developed a new round pod mount to alleviate the problems caused by pods made for octagonal traffic poles, and provides a safer solution for your round sectional steel poles. Round pods offer the security of assuring your arm pods will not deform sectional poles, causing potential long term issues. These round pods are custom fabricated to meet the specific tapers of sectional poles, and fit aluminum arms.

Pods can be painted to match poles, and fit OPSD 2453, 2422 & region specific poles. Call Polefab for your pods & arms, and buy your package from a single source.

Also available are aluminum arms in lengths from 4' to 22' in natural brushed aluminum. The arms can be painted to match our poles when desired, in our standard Polecoat & Powdercoating.

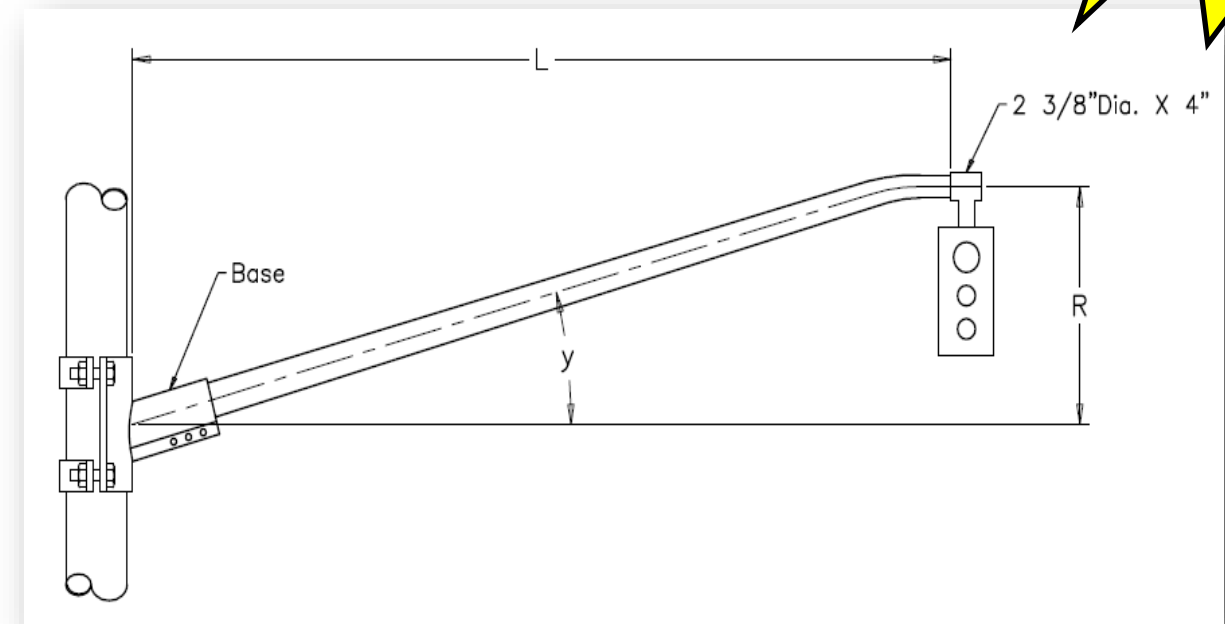
Polefab is pleased to provide you a full service once stop opportunity for your poles and arms.



Features

- Fit Sectional steel poles
- Guaranteed fit
- Light weight
- Paintable/coating available
- Stocking Popular sizes

Round pod arm mounts do not pinch poles, and offer a better installation solution, assuring no deformation of poles, and reduce maintenance to retighten loose hardware.



Catalogue No.	Length (L)	Rise (R)	Angle (y)	Dia. at Base
TSA-4004	4'-0"	1'-9"	25°	4"
TSA-4006	6'-0"	2'-0"	25°	4"
TSA-4008	8'-0"	2'-9"	25°	4"
TSA-4010	10'-0"	2'-0"	15°	5"
TSA-4012	12'-0"	2'-9"	15°	5"
TSA-4015	15'-0"	3'-6"	15°	5"
TSA-4018	18'-0"	3'-0"	10°	6"
TSA-4020	20'-0"	3'-6"	10°	6"
TSA-4022	22'-0"	3'-9"	10°	6"

155 Pony Drive
Newmarket, Ontario
L3Y 7B5

Phone: 905-836-2222
Fax: 905-836-5612
Email: sales@polefab.com