

PF1000 SERIES

TAPERED ROUND STEEL(NON SECTIONAL)

FEATURES

TAPERED STEEL ROUND SHAFT
SLOTTED BCD ASSISTS IN FIELD RETROFITS
BASE COVER OR NUT COVERS INCLUDED
REINFORCED HAND HOLE FRAME STANDARD

POWDERCOAT STANDARD COLOUR FINISH
MEETS AASHTO & CSA S6-06 STANDARDS
2 DRILLINGS WITH CAP OR TENON STANDARD
INCLUDES J-ANCHOR BOLTS

ORDERING INFORMATION

Example PF 10 20 S AX DB

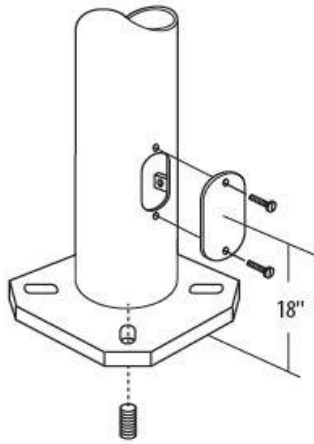
POLEFAB PART# _____
SERIES _____
POLE HEIGHT _____
WALL THICKNESS _____
FIXTURE MOUNT _____
FINISH _____



ROUND TAPERED POLES



POLEFAB	SHAFT TYPE	HEIGHT	WALL TYPE	MOUNT TYPE	FINISH	CATALOG NUM.	FT	M	WALL	BCD	BPL	A/B'S	PROJ	WT	loadings(PA)				
															400	500	600	700	800
PF 10	20	S	XX	XX	XX	PF-1020-S-XXXX	20	6.3	0.12	10"	25	1"X30"	4"	156	2.23	1.70	1.34	1.09	0.90
PF 10	25	S	XX	XX	XX	PF-1025-S-XXXX	25	7.9	0.12	10"	25	1"X30"	4"	158	1.31	0.96	0.73	0.57	0.44
PF 10	30	S	XX	XX	XX	PF-1030-S-XXXX	30	9.4	0.12	12"	32	1"X30"	4"	274	1.95	1.41	1.06	0.80	0.61
PF 10	30	H	XX	XX	XX	PF-1030-H-XXXX	30	9.4	0.18	12"	32	1.25"X48"	5	390	3.23	2.43	1.91	1.53	1.25
PF 10	35	S	XX	XX	XX	PF-1035-S-XXXX	35	11.0	0.12	12"	32	1"X30"	4"	320	1.72	1.21	0.86	0.62	0.43
PF 10	35	H	XX	XX	XX	PF-1035-H-XXXX	35	11.0	0.18	13"	32	1.25"X48"	5	373	2.23	1.58	1.15	0.84	0.61
PF 10	39	S	XX	XX	XX	PF-1039-S-XXXX	39	12.3	0.12	13"	32	1"X30"	4"	370	1.52	1.04	0.71	0.48	0.30
PF 10	39	H	XX	XX	XX	PF-1039-H-XXXX	39	12.3	0.18	13"	38	1.25"X48"	5.5	542	2.67	1.96	1.49	1.15	0.89
PF 10	50	S	XX	XX	XX	PF-1050-S-XXXX	50	15.7	0.12	15"	38	1.25"X48"	5.5	819	2.65	1.84	1.30	0.91	0.62
PF 10	50	H	XX	XX	XX	PF-1050-H-XXXX	50	15.7	0.18	17"	38	1.25"X48"	5.5	1039	2.93	1.98	1.35	0.89	0.55



Base Cover



J-bolt

PROJECT: _____
CUSTOMER: _____
JOB#: _____
COLOUR: _____
QTY: _____
NOTES: _____

NOTES:
BCD SHOWN IS +/- 1/2" SLOTS
ANCHOR BOLT HOLES ARE BOLT DIA +1/4"
BASE COVER MAY BE PLASTIC OR STEEL
DEPENDING ON FINISH SELECTED
CUSTOM HEIGHTS AVAILABLE
CUSTOM COLOURS REQUIRE STEEL BASE COVER
ANCHORS ARE GALVANIZED WITH 2 NUTS & 2 WASHERS
CONTACT THE FACTORY FOR CUSTOM APPLICATIONS
ALL POLES MAY BE SUPPLIED DIRECT BURIED

AVAILABLE FIXTURE MOUNTS	
AX	DRILL 1 SIDE
BX	DRILL 2 SIZES @90
CX	DRILL 2 SIDES @ 180
DX	DRILL 3 SIDES
FX	DRILL 4 SIDES
TA	2 3/8" OD TENON
TB	2 7/8" OD TENON
TR	3"OD TENON
CU	CUSTOM MOUNT

AVAILABLE FINISHES	
DB	BRONZE
BL	BLACK
WH	WHITE
GR	GREY
PS	PLATINUM SILVER
GN	GREEN
CU	CUSTOM
GA	GALVANIZED
GLXY	GALAXY - GALVANIZED & POWDERCOATED

PF1000 SERIES



155 PONY DRIVE, NEWMARKET, ON, L3Y-7B5
905-836-2222 WWW.POLEFAB.COM

